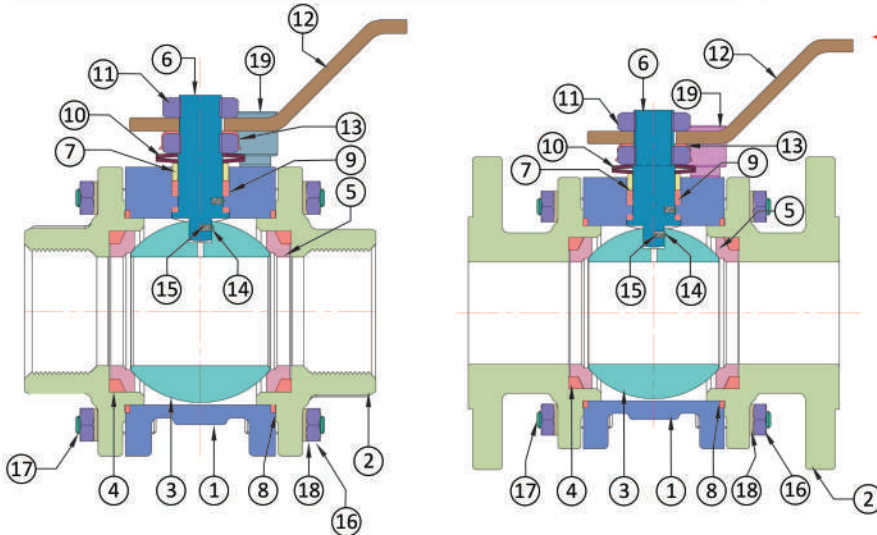


4Matic Hand Lever & Gear Operated Metal Seated Ball Valve designed for using in the severe conditions such as high temperature and high friction fluid like abrasive fluids of Oil and Gas, Petroleum, Petrochemical, Chemical Power Generation, Pulp and Paper Mining Industry.

Size Range : 1/2" to 4" Screwed / Flanged

Standard

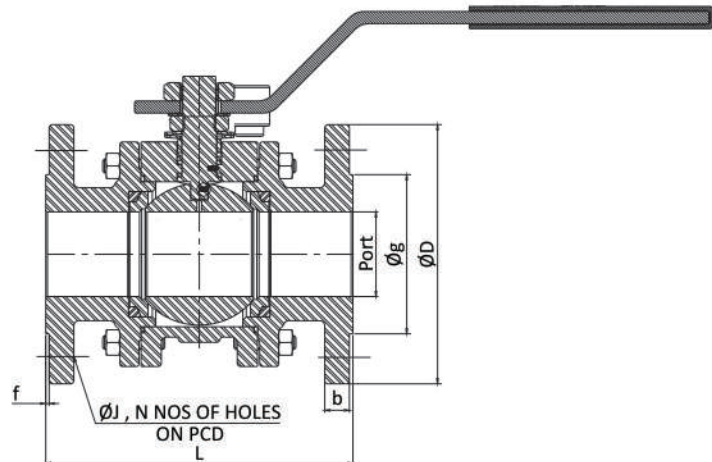
Design And Manufacturing : BS EN ISO 17292
 Valve Face To Face Dimension : ASME B 16.10
 Flange Standard Conformity : ASME B 16.5 Class 150,
 Inspection & Testing : API 598 / FCI - 702 / BS EN 12266 - 1



Features :

- Metal Seated Ball Valves are inherently fire safe design
- Metal anti-static by nature of the metal to metal contact
- Harden face treatment on ball and seats provides the longer life cycle in Cryogenic environment
- Advanced seat structure and high precision ball preparation can Ensure Sealing performance and reduce the operation torque
- Highly precise machining enables the ball and seat tight shut-off
- Suitable for temperature range -50°C to 500°C

No.	Description	Material	Qty.
01	Body	WCB / CF8 / CF8M	01
02	End Connector	WCB / CF8 / CF8M	02
03	Ball	CF8 / CF8M	01
04	Ball Back	CFT	02
05	Ball Seat	AISI 304 / 316	02
06	Stem Pin	AISI 304 / 316	01
07	Spacer Ring	AISI 304 / 316	01
08	Body Seat	CFT02	02
09	Stem Seat	CFT04	04
10	Disc Spring	Spring Steel	02
11	Stem Nut	S. S. 304	02
12	Handle	M.S. / S.S.	01
13	Lock Washer	S. S. 304	01
14	Antistatic Ball	S. S. 304	02
15	Antistatic Spring	S. S. 304	02
16	Fitting Nut	H.T. / S. S. 304	08
17	Fitting Stud	H.T. / S. S. 304	04
18	Spring Washer	H.T. / S. S. 304	08
19	Stopper Pin	M.S. / S. S. 304	01



Dimensions :

(All Dimensions are in mm)

Valve Model	Valve Size		Screwed				Flanged 150#						Weight (Approx)	
	MM	Inch	L	Weight Approx.	L1	b	f	Port	Øg	ØD	ØJ	N		K:PCD
A4MV - 15	15	1/2"	71	1.550	108	8	2	13	34.9	90	15.9	4	60.3	1.600
A4MV - 20	20	3/4"	94	1.880	117	8.9	2	19	42.9	100	15.9	4	69.9	2.400
A4MV - 25	25	1"	108.5	2.720	127	9.6	2	25	50.8	110	15.9	4	79.4	3.500
A4MV - 32	32	1.1/4"	116	3.950	140	11.2	2	32	63.5	115	15.9	4	88.9	5.000
A4MV - 40	40	1.1/2"	128	5.200	165	12.7	2	38	73	125	15.9	4	98.4	7.000
A4MV - 50	50	2"	158	9.100	178	14.3	2	49	92.1	150	19.05	4	120.7	11.200
A4MV - 65	65	2.1/2"	185	13.100	190	15.9	2	62	104.8	180	19.05	4	139.7	17.500
A4MV - 80	80	3"	205	15.100	203	17.5	2	74	127	190	19.05	4	152.4	20.00
A4MV - 100	100	4"	216	25.000	229	22.3	2	100	157.2	230	19.05	8	190.5	33.00

Note : 300 & 600 Class Dimension are on request.