

4Matic offers Hand Lever & Gear Operated "Three Way - Four Way" Design Investment Casting CF8 / CF8M / WCB Ball Valve, engineered for multiple Diverting / Mixing Operations in the down stream. TYPE : "T" . PORT / "L" . PORT / "X" . PORT In Full Bore / Reduce Bore

High Pressure upto 500 Kg available on request



**Size Range : 1/2" to 6" Screwed / Flanged / Triclover / Socket Weld**

**Standard**

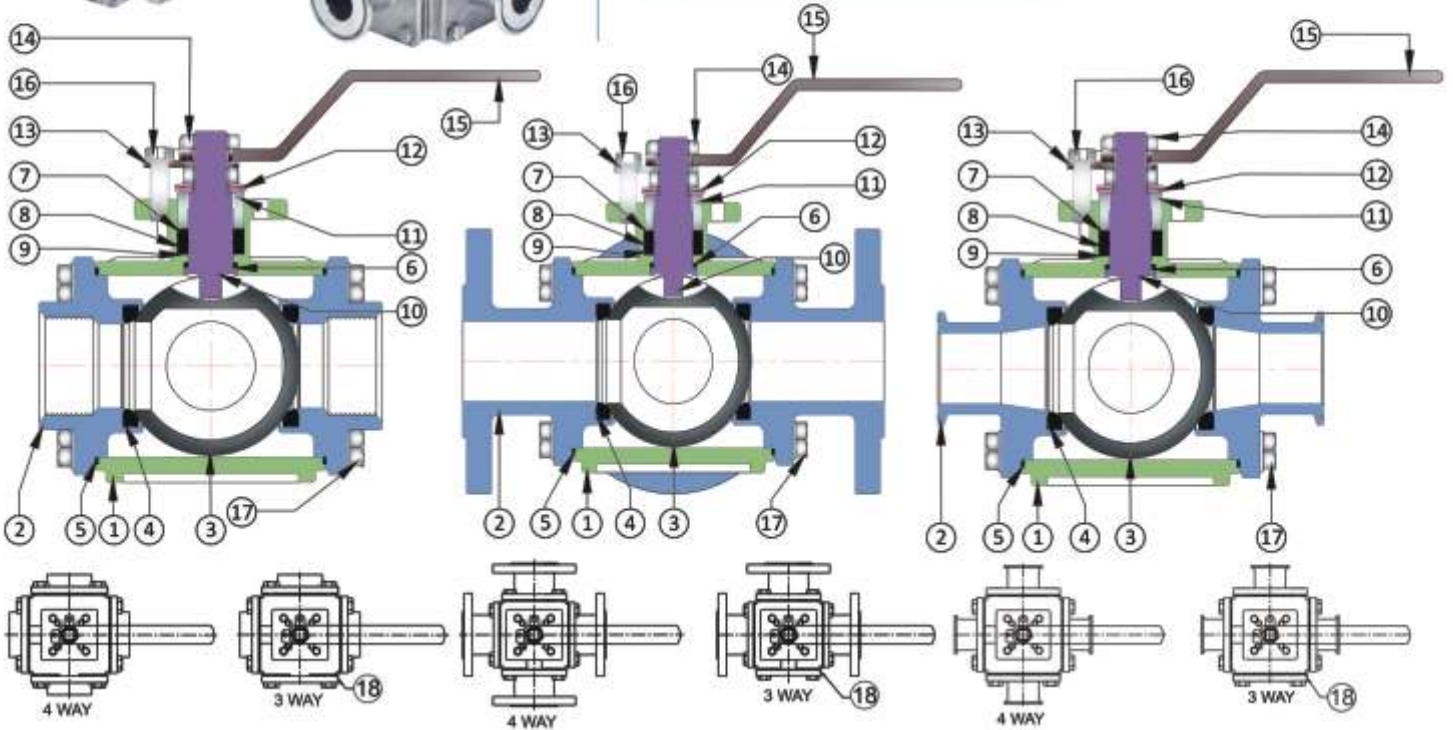
Design And Manufacturing : ASME B 16.34 / API 6D  
Valve Face To Face Dimension : As Per Manufacturer  
Flange Standard Conformity : ASME B 16.5 Class 150, 300  
Inspection & Testing : API 598 / FCI - 702 / BS EN 12266 - 1

**Features :**

- Body & End are investment Cast
- Self adjusting stem packing
- Available in 3 way & 4 way & 5 way L - port/T port/X port
- 4 piece ball seats
- Blow - out proof stem design anti blow - out proof stem design

**TECHNICAL SPECIFICATION**

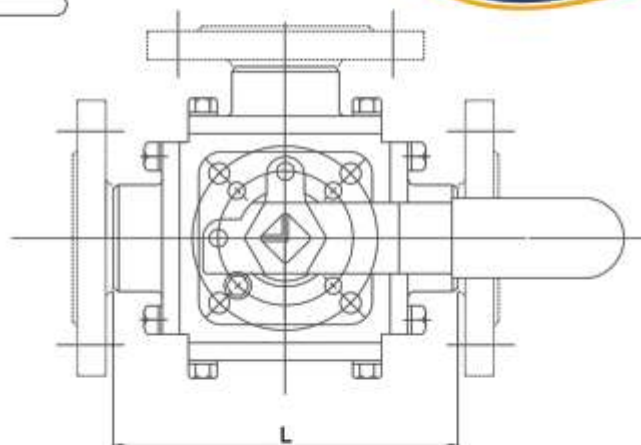
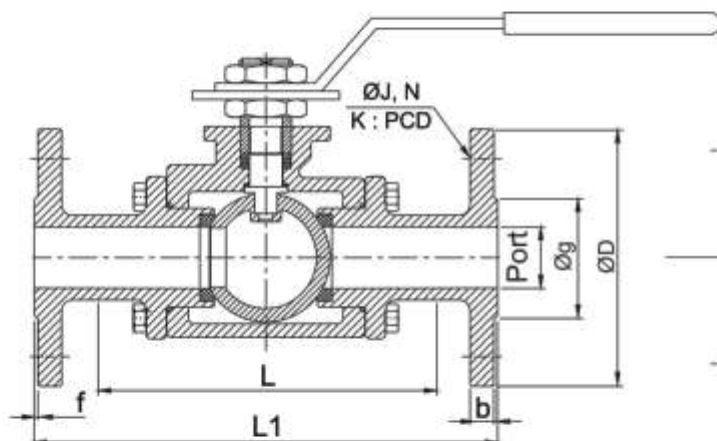
PRESSURE	ASME 150 / ASME 300 PN 16, PN 25, PN 40
TEMPERATURE	-25°C TO 180 °C



No.	Description	Material	3 way Qty.	4 way Qty.
1	Body	WCB / CF8 / CF8M	01	01
2	Screw End Connection	WCB / CF8 / CF8M	03	04
3	Ball	CF8 / CF8M	01	01
4	Ball Seat	PTFE / GFT	04	04
5	Body Seat	PTFE / GFT	04	04
6	Stem Packing	PTFE	01	01
7	U - Seat	PTFE	01	01
8	V - Seat	PTFE	02	02
9	Base Seat	PTFE	01	01
10	Stem Pin	S.S. 304	01	01
11	Gland Spacer Washer	S.S. 304	01	01
12	Disc Washer	S.S. 304	01	01
13	Platter	S.S. 304	01	01
14	Handle Nut	S.S. 304	02	02
15	Handle	S.S. 304	01	01
16	Handle Stopper	S.S. 304	01	01
17	Body Fitting	S.S. 304	16	16
18	Hex Bolt + Washer			
18	Blind End Connection	CF8 / CF8M	01	—

No.	Description	Material	3 way Qty.	4 way Qty.
1	Body	WCB / CF8 / CF8M	01	01
2	Flange End Connection	WCB / CF8 / CF8M	03	04
3	Ball	CF8 / CF8M	01	01
4	Ball Seat	PTFE / GFT	04	04
5	Body Seat	PTFE / GFT	04	04
6	Stem Packing	PTFE	01	01
7	U - Seat	PTFE	01	01
8	V - Seat	PTFE	02	02
9	Base Seat	PTFE	01	01
10	Stem Pin	S.S. 304	01	01
11	Gland Spacer Washer	S.S. 304	01	01
12	Disc Washer	S.S. 304	01	01
13	Platter	S.S. 304	01	01
14	Handle Nut	S.S. 304	02	02
15	Handle	S.S. 304	01	01
16	Handle Stopper	S.S. 304	01	01
17	Body Fitting	S.S. 304	16	16
18	Hex Bolt + Washer			
18	Blind End Connection	CF8 / CF8M	01	—

No.	Description	Material	3 way Qty.	4 way Qty.
1	Body	WCB / CF8 / CF8M	01	01
2	TC End Connection	WCB / CF8 / CF8M	03	04
3	Ball	CF8 / CF8M	01	01
4	Ball Seat	PTFE / GFT	04	04
5	Body Seat	PTFE / GFT	04	04
6	Stem Packing	PTFE	01	01
7	U - Seat	PTFE	01	01
8	V - Seat	PTFE	02	02
9	Base Seat	PTFE	01	01
10	Stem Pin	S.S. 304	01	01
11	Gland Spacer Washer	S.S. 304	01	01
12	Disc Washer	S.S. 304	01	01
13	Platter	S.S. 304	01	01
14	Handle Nut	S.S. 304	02	02
15	Handle	S.S. 304	01	01
16	Handle Stopper	S.S. 304	01	01
17	Body Fitting	S.S. 304	16	16
18	Hex Bolt + Washer			
18	Blind End Connection	CF8 / CF8M	01	—

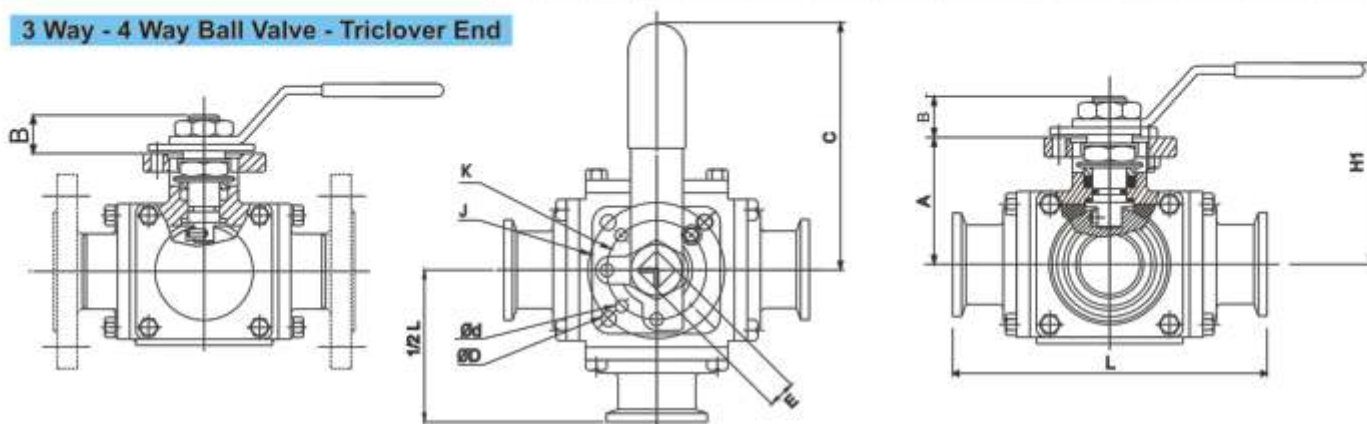


**Dimensions :**

(All Dimensions are in mm)

Valve Model	Valve Size		Screwed		Flanged 150#										Weight (Approx)	Flanged 300#							
	MM	Inch	L	Weight	L1	b	f	Port	Øg	ØD	Øj	N	K:PCD	L1		b	f	Port	Øg	ØD	Øj	N	K:PCD
A4V-3100-15	15	1/2"	104	2.250	151	8	2	13	34.9	88	4	15.9	60.3	4.440	160	12.7	2	13	34.9	95	15.9	4	66.7
A4V-3100-20	20	3/4"	112	3.050	165	8.9	2	19	42.9	98	4	15.9	69.9	5.800	177	14.3	2	19	42.9	115	19.05	4	82.6
A4V-3100-25	25	1"	130	4.350	192	9.6	2	25	50.8	110	4	15.9	79.4	7.650	202	15.9	2	25	50.8	125	19.05	4	88.9
A4V-3100-32	32	1.1/4"	141	5.050	211	11.2	2	32	63.5	115	4	15.9	88.9	—	208	17.5	2	32	63.5	135	19.05	4	98.4
A4V-3100-40	40	1.1/2"	159	10.100	218	12.7	2	38	73	125	4	15.9	98.4	15.600	234	19.1	2	38	73	155	22.2	4	114.3
A4V-3100-50	50	2"	192	16.500	253	14.3	2	49	92.1	150	4	19.05	120.7	26.450	274	20.7	2	49	92.1	165	19.05	8	127
A4V-3100-65	65	2.1/2"	297	—	295	15.9	2	64	104.8	180	4	19.05	139.7	35.200	300	23.9	2	62	104.8	190	22.2	8	149.2
A4V-3100-80	80	3"	304	—	306	17.5	2	76	127	190	4	19.05	152.4	46.300	327	27	2	74	127	210	22.2	8	168.3
A4V-3100-100	100	4"	324	—	371	22.3	2	98	157.2	230	8	19.05	190.5	80.050	395	30.2	2	100	157.2	255	22.2	8	200
A4V-3100-125	125	5"	—	—	—	22.3	2	125	185.7	255	8	22.2	215.9	82.100	—	33.4	2	125	185.7	280	22.2	8	235
A4V-3100-150	150	6"	—	—	428	23.9	2	150	215.9	280	8	22.2	241.3	—	468	35	2	150	215.9	320	22.2	12	269.9

**3 Way - 4 Way Ball Valve - Triclover End**



**Dimensions :**

(All Dimensions are in mm)

Valve Model	Valve Size		A	B	C	Ed	ED	H1	K	J	E	Port	L
	MM	Inch											
A4V-T3100-15	15	1/2"	41	11	125	6.0	0.6	67.0	36	42	9	12.5	133
A4V-T3100-20	20	3/4"	49	14	160	6.0	7.1	80.8	42	50	11	17	140
A4V-T3100-25	25	1"	55	14	160	6.0	7.1	87.5	42	50	11	22	160
A4V-T3100-40	40	1.1/2"	74	18	205	7.1	9.2	114	50	70	14	35	183
A4V-T3100-50	50	2"	93	23	325	9.2	11.4	140	70	102	17	47	217
A4V-T3100-65	65	2.1/2"	73.5	25	-	-	11.5	250	-	102	22	-	-
A4V-T3100-80	80	3"	81.5	25	-	-	11.5	285	-	102	22	-	-
A4V-T3100-100	100	4"	99.5	25	-	-	11.5	330	-	102	22	-	-

4Matic offers Gear Operated "Three Way - Four Way" Design SAND CASTING CF8 / CF8M / WCB Ball Valve, engineered for multiple Diverting / Mixing Operations in the down stream. TYPE : "T". PORT / "L" / "X".

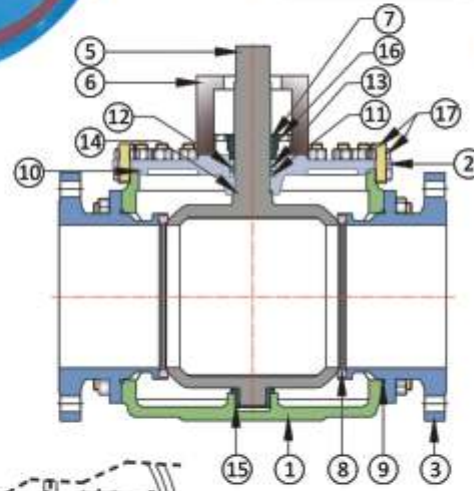
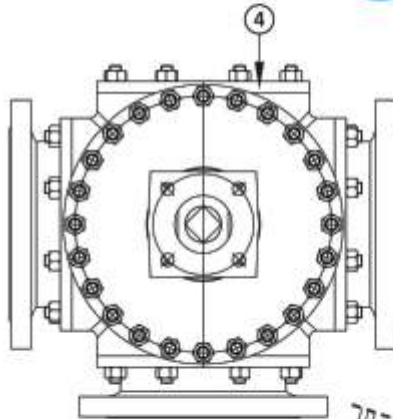
**Size Range : 8" to 12" Flange End**

**Standard**

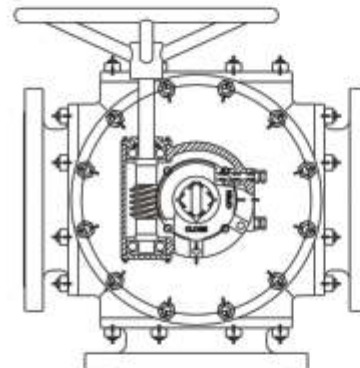
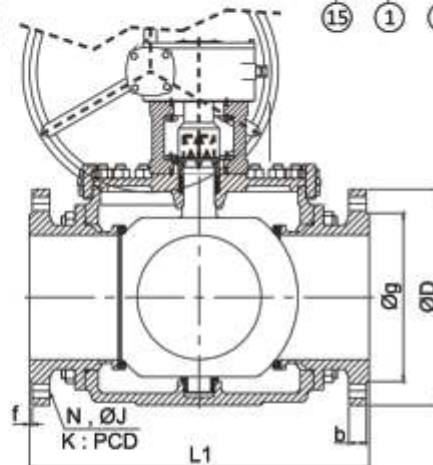
Design And Manufacturing : ASME B 16.34 / API 6D  
Valve Face To Face Dimension : As Per Manufacturer  
Flange Standard Conformity : ASME B 16.5 Class 150, 300  
Inspection & Testing : API 598 / FCI - 702 / BS EN 12266 - 1

**TECHNICAL SPECIFICATION**

PRESSURE	ASME 150 / ASME 300 PN 16, PN 25, PN 40
TEMPERATURE	-25°C TO 180 °C



No.	Description	Material
1	Body	WCB / CF8 / CF8M
2	Top Cover	WCB / CF8 / CF8M
3	Flange End	WCB / CF8 / CF8M
4	Blind End	WCB / CF8 / CF8M
5	Ball	CF8 / CF8M
6	Bracket	CF8 / CF8M
7	Gland	CF8 / CF8M
8	Ball Seat	PTFE / CFT / GFT / PEEK
9	Body Gasket	PTFE
10	Top Cover Gasket	PTFE
11	Base Seal	PTFE
12	U - Seal	PTFE
13	V - Seal	PTFE
14	'O' - Ring	Viton
15	Bush	CFT / PTFE
16	Bracket & Gland Fitting Bolt	M. S. / S.S.
17	Fitting Stud + Nut	M. S.



**Dimensions :**

(All Dimensions are in mm)

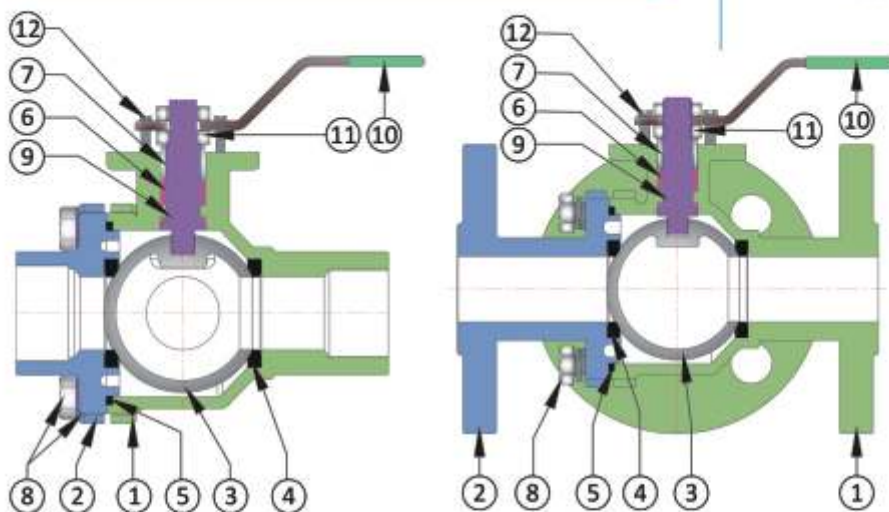
Valve Model	Valve Size		L1	ØD	b	Øg	f	ØI	N	PCD
	MM	Inch								
A4V-MPBV-200	200	8"	538	345	27	269.9	2	22.2	8	298.5
A4V-MPBV-250	250	10"	662	405	28.6	323.8	2	25.4	12	362.00
A4V-MPBV-300	300	12" (R/Bore)	662	485	30.2	381	2	25.4	12	431.8

4Matic offers Hand Lever & Gear Operated Investment Casting WCB / CF8 / CF8M in 2 Piece Design "C" Way Ball Valve - engineered for multiple ON / OFF operations in the down steam.

Size Range : 1" to 8"

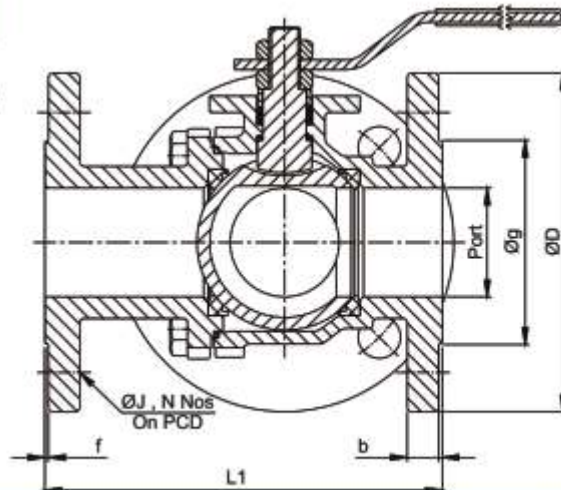
Standard

Design And Manufacturing : ASME B 16.34 / API 6D  
Valve Face To Face Dimension : ASME B 16.10  
Flange Standard Conformity : ASME B 16.5 Class 150,  
Inspection & Testing : API 598



TECHNICAL SPECIFICATION

PRESSURE	10 BAR ( 150W )
TEMPERATURE	180 °C
LEAKAGE CLASS	CLASS VI as per B 16.16-104
PORT	ONLY "L" PORT AVAILABLE
MEDIA	WATER, AIR, OIL & GAS



No.	Description	Material	Qty.
1	Body	WCB / CF8 / CF8M	1
2	Connection	WCB / CF8 / CF8M	1
3	Ball	CF8 / CF8M	1
4	Ball Seat	PTFE / CFT / GFT / TFM / PEEK	2
5	Body Seat	PTFE / CFT / GFT / TFM / PEEK	1
6	Stem Seat	PTFE / CFT / GFT / TFM / PEEK	5
7	Gland Bush	S.S. 304 / S.S. 316	1
8	Hex Bolt + Spring Washer	S.S. 304	4
9	Stem Pin	S.S. 304 / S.S. 316	1
10	Handle	M.S. / S.S.	1
11	Handle Nut	S.S. 304	2
12	Handle Stopper	S.S. / M.S.	2

Dimensions :

(All Dimensions are in mm)

Valve Model	Valve Size		Port	L1	øD	b	øg	f	øJ	N	PCD	Weight (Approx.)	
	MM	Inch										S/E	F/E
MP-CWBV-25	25	1"	25	127	110	9.6	50.8	2	15.9	4	79.4	1.180	3.800
MP-CWBV-32	32	1.1/4"	32	140	115	11.2	63.5	2	15.9	4	88.9	2.230	4.200
MP-CWBV-40	40	1.1/2"	38	165	125	12.7	73	2	15.9	4	98.4	2.660	6.640
MP-CWBV-50	50	2"	49	178	150	14.3	92.1	2	19.05	4	120.7	5.560	10.200
MP-CWBV-65	65	2.1/2"	62	190	180	15.9	104.8	2	19.05	4	139.7	8.750	14.000
MP-CWBV-90	80	3"	74	203	190	17.5	127	2	19.05	4	152.4	11.200	18.120
MP-CWBV-100	100	4"	100	305	230	22.3	157.2	2	19.05	8	190.5	---	33.100
MP-CWBV-125	125	5"	127	356	255	22.3	185.7	2	22.2	8	215.9	---	75.400
MP-CWBV-150	150	6"	150	394	280	23.9	215.9	2	22.2	8	241.3	---	180.200
MP-CWBV-200	200	8"	201	600	345	27	269.9	2	22.2	8	298.5	---	200.000