

4Matic offers Manual (Gear / Handle) Double Flanged Butterfly Valve, engineered for multiple ON/OFF operations in the larger pipe line and full flow down streams.

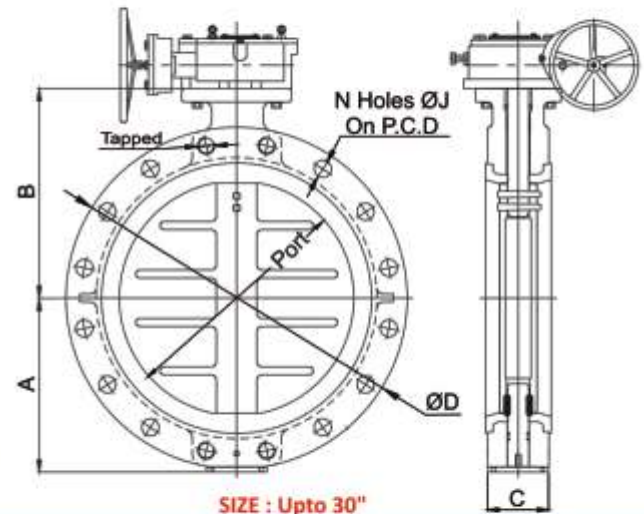


Size Range : 3" to 48"

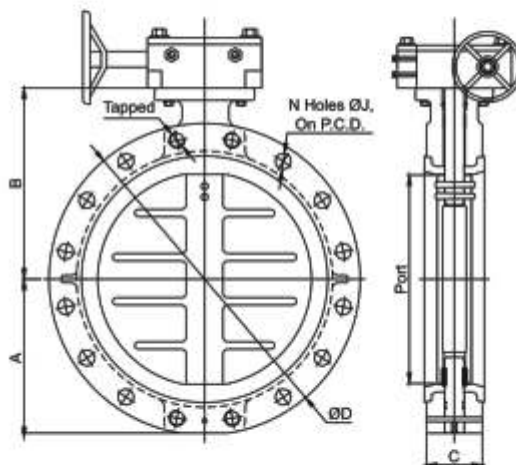
Key Feature :

- Integrally moulded seat liner on the body, which ensures excellent dimensional stability & guaranteed seat tightness.
- Seat liner extending on to the contact faces ensures perfect sealing and eliminates the need for separate flange gaskets.
- Narrow land disc ensures perfect sealing with least operating torque requirements.
- A fully universal body design ensures fitting of the valve between companion flanges of all popular standards (viz : ANSI, BS, DIN, JIS, IS etc.)
- The notch disc & band lever ensures locking of the valve in 8 intermediate position in addition to close and open position. Hand lever can be locked through pad lock.
- Body casting made of superior FG 260 grade cast iron to ensure additional strength.
- Valve disc made of stainless steel / ductile cast iron which enable protection against possible water hammer or pressure surges.
- A truly line size body bone to ensure maximum flow capacity with the lowest pressure drop.

PRESSURE / TEMPERATURE RATING	
PRESSURE	TEMPERATURE
PN 10 / PN 16 (PN 20 ON REQUEST)	-20 to 80 °C For Nitrile Seat Depending On MOC



Note : (Valve F to F will be as per Wafer type) (Flange Thickness Non - STD As per Mfg. Std Wafer short Double Flange Body)

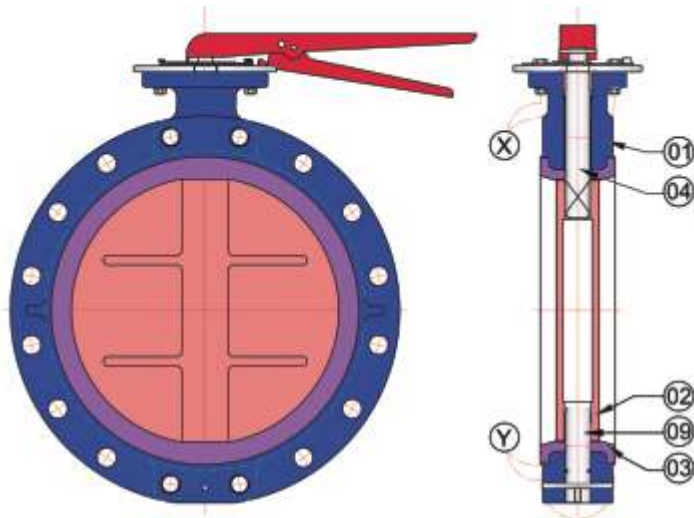


Dimensions :		(All Dimensions are in mm)									
Valve Model	Valve Size		Port	A	B	C	ØD	N	ØJ	Tapped	PCD
	MM	Inch									
4M-DF-ECO-80	80	3"	80	95	129	46	190	4	19.05	--	152.4
4M-DF-ECO-100	100	4"	100	113	147	52	230	8	19.05	--	190.5
4M-DF-ECO-150	150	6"	150	136	177	56	280	8	22.2	--	241.3
4M-DF-ECO-200	200	8"	200	174	214	60	345	8	22.2	--	298.5
4M-DF-ECO-250	250	10"	241	201	265	68	405	12	25.4	--	362
4M-DF-ECO-300	300	12"	286	236	303	78	485	12	25.4	--	431.8
4M-DF-ECO-350	350	14"	333	248	345	78	535	12	28.6	--	476.3
4M-DF-ECO-400	400	16"	382	300	364	102	595	16	28.6	--	539.8
4M-DF-ECO-450	450	18"	433	322	381	114	635	16	31.75	1" UNC	577.9
4M-DF-ECO-500	500	20"	476	354	436	127	700	20	31.75	1" UNC	635
4M-DF-ECO-600	600	24"	590	405	515	154	815	20	34.9	1.1/4" UNC	749.3
4M-DF-ECO-650	650	26"	635	435	490	165	870	24	34.9	1.1/4" UNC	806.4
4M-DF-ECO-700	700	28"	680	462	543	165	925	28	34.9	1.1/4" UNC	863.6
4M-DF-ECO-750	750	30"	725	482	576	190	985	28	34.9	1.1/4" UNC	914.4
4M-DF-ECO-800	800	32"	785	533	618	190	1060	28	41.3	1.1/2" UNC	977.9
4M-DF-ECO-900	900	36"	885	576	675	203	1170	32	41.3	1.1/2" UNC	1085.8
4M-DF-ECO-1000	1000	40"	965	640	720	216	1290	36	41.3	1.1/2" UNC	1200.2
4M-DF-ECO-1200	1200	48"	1170	750	865	254	1510	44	41.3	1.1/2" UNC	1422.4

Standard

Design And Manufacturing : API 609 category A / IS : 13095 / BS EN 593
 Valve Face To Face Dimensions : Short Wafer As Per ISO 5752 TAB 5 / API 609 Category A / ISO 5752 TAB 1 (BS 5155)
 Flange Standard Conformity : ASME B 16.5 / ASME B 16.47 Class 150, BS 10 TAB D, E & F
 Inspection & Testing : API 598 / BS EN 12266-1
 Top Flange Drilling : ISO 5211

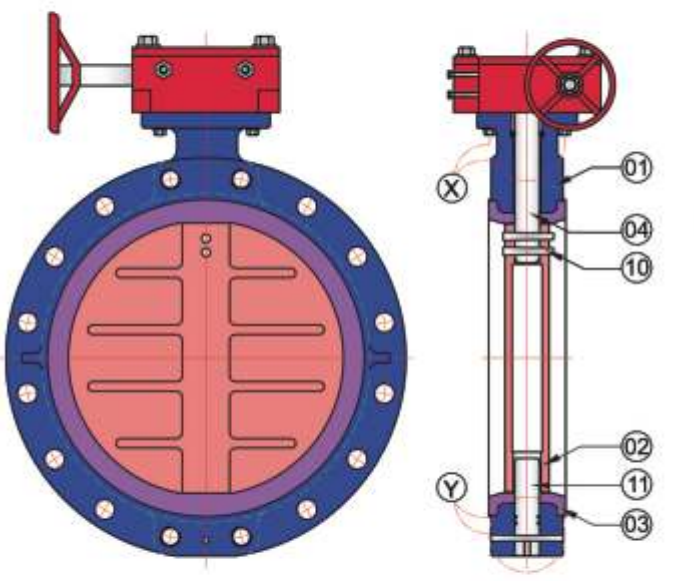
TEST PRESSURE		
TESTING	BODY	SEAT
HYDRAULIC	16 KG/CM ²	10 KG/CM ²



Detail : 'X'

Detail : 'Y'

No.	Description	Material	Qty.
1	Body	ASTM - A 126 Grade B (Gry Iron)	1
		ASTM - A 216 Grade WCB (Cast Steel)	
		ASTM - A 536 Grade 65-45-12 (Ductile Iron)	
2	Disc	ASTM - A 351 Grade CF8 / CF8M / CF3M / CD4MCuN	1
		ASTM - A 126 Grade B (Gry Iron) + Powder Coated	
		ASTM - A 216 Grade WCB (Cast Steel) + Powder Coated	
		ASTM - A 536 Grade 65-45-12 (Ductile Iron) + Powder Coated	
		ASTM - A 351 Grade CF8 / CF8M / CF3M / CD4MCuN	
3	Seat	Nitrile / EPDM / Viton / Hypelon / Silicon / Neopren	1
		S.G. Iron with Teflon / Powder / Nylon Coated & Rubber Line	
4	Shaft	AISI 410 / AISI 304 / AISI 316 / AISI 316L	1
5	Bearing Bush	Metal Bush PTFE Coated	2
6	Bush	PTFE (Teflon)	1
7	'O' - Ring	Nitrile / EPDM / Viton / Hypelon / Silicon / Neopren	2
8	Dowel Pin	M.S. / AISI 410 / AISI 304 / AISI 316 / AISI 316L	1
9	Bottom Pin	AISI 410 / AISI 304 / AISI 316 / AISI 316L	1



Detail : 'X'

Detail : 'Y'

No.	Description	Material	Qty.
1	Body	ASTM - A 126 Grade B (Gry Iron)	1
		ASTM - A 216 Grade WCB (Cast Steel)	
		ASTM - A 536 Grade 65-45-12 (Ductile Iron)	
2	Disc	ASTM - A 351 Grade CF8 / CF8M / CF3M / CD4MCuN	1
		ASTM - A 126 Grade B (Gry Iron) + Powder Coated	
		ASTM - A 216 Grade WCB (Cast Steel) + Powder Coated	
		ASTM - A 536 Grade 65-45-12 (Ductile Iron) + Powder Coated	
		ASTM - A 351 Grade CF8 / CF8M / CF3M / CD4MCuN	
3	Seat	Nitrile / EPDM / Viton / Hypelon / Silicon / Neopren	1
		S.G. Iron with Teflon / Powder / Nylon Coated & Rubber Line	
4	Shaft	AISI 410 / AISI 304 / AISI 316 / AISI 316L	1
5	Bearing Bush	Metal Bush PTFE Coated	2
6	Bush	PTFE (Teflon)	1
7	'O' - Ring	Nitrile / EPDM / Viton / Hypelon / Silicon / Neopren	2
8	Dowel Pin	M.S. / AISI 410 / 304 / 316 / 316L	1
9	'V' Seal	Nitrile / EPDM / Viton / Hypelon / Silicon / Neopren	1
10	Taper Pin	AISI 410 / AISI 304 / AISI 316 / AISI 316L	2
11	Bottom Pin	AISI 304 / AISI 316 / AISI 316L	1

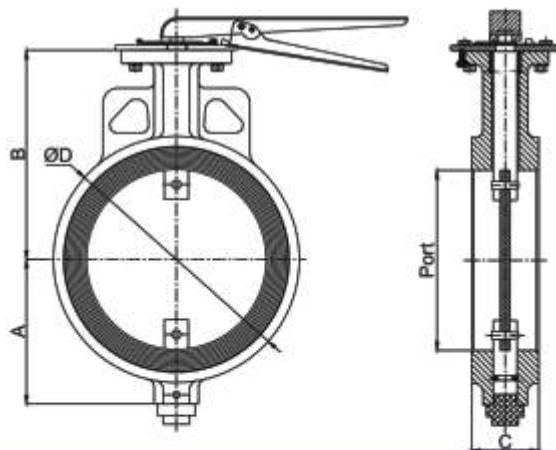
4Matic Offers Manual (Handle / Gear) Operated Damper Valve for flow Control of Air & Gas.

Size Range : 1.1/2" to 20"



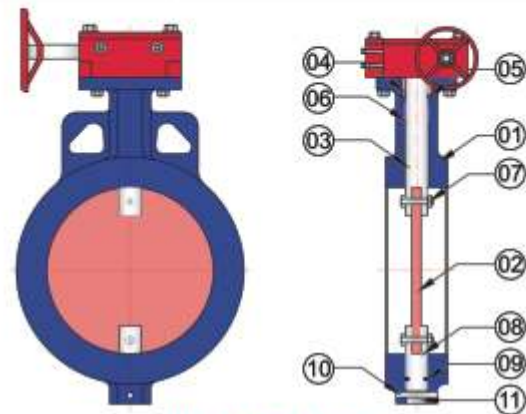
SIZE : Upto 1.1/2" to 8"

No.	Description	Material	Qty.
1	Body	Gry Iron / C.S. / D.I. / CF8 / CF8M	01
2	Disc	C.S. / WCB / CF8 / CF8M	01
3	Shaft	AISI 410 / AISI 304 / AISI 316 / AISI 316L	01
4	Teflon Bush	Teflon	01
5	Graphoile Ring	Graphite	01
6	Bering Bush	Metal Bush PTFE Coated	01
7	Nut & Bolt	S.S. 202 / S.S. 304	02
8	Bottom Shaft	AISI 410 / AISI 304 / AISI 316 / AISI 316L	01
9	Graphoile Ring	Graphite	01
10	Dowel Pin	IS 2062 Gr. B	01
11	Bottom Cover	IS 2062 Gr. B	01



TEST PRESSURE		
TESTING	BODY	SEAT
HYDRAULIC	10 kg/CM ²	5% Leakage

PRESSURE / TEMPERATURE	
PRESSURE RATING	PN 6 (MAXIMUM)
OPERATING TEMPERATURE RANGE	-25 °C TO 400 °C (DEPENDING ON MOC) UPTO 600 °C



SIZE : Upto 10" to 20"

No.	Description	Material	Qty.
1	Body	Gry Iron / C.S. / D.I. / CF8 / CF8M	01
2	Disc	C.S. / WCB / CF8 / CF8M	01
3	Shaft	AISI 410 / AISI 304 / AISI 316 / AISI 316L	01
4	Teflon Bush	Teflon	01
5	Graphoile Ring	Graphite	01
6	Bering Bush	Metal Bush PTFE Coated	01
7	Nut & Bolt	S.S. 202 / S.S. 304	02
8	Bottom Shaft	AISI 410 / AISI 304 / AISI 316 / AISI 316L	01
9	Graphoile Ring	Graphite	01
10	Dowel Pin	IS 2062 Gr. B	01

Dimensions : (All Dimensions are in mm)

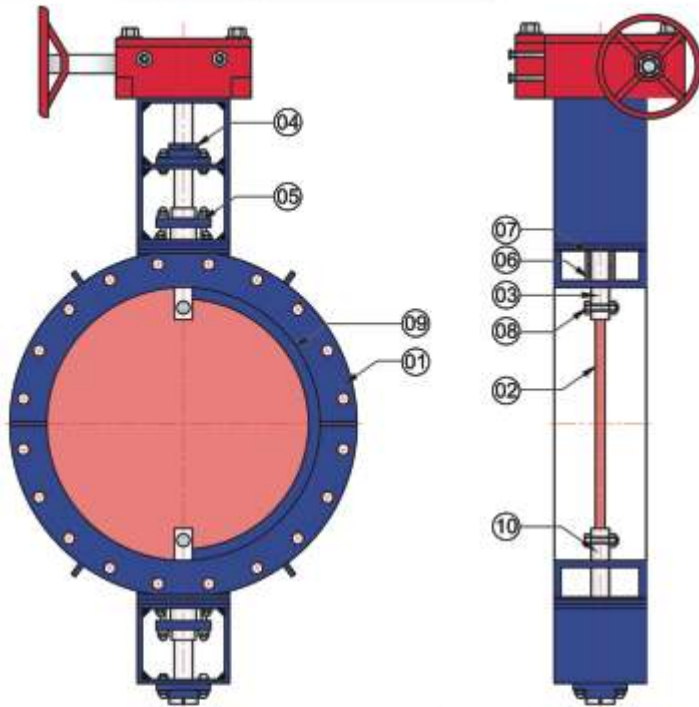
Valve Model	Valve Size		Port	A	B	C	ØD
	MM	Inch					
4M-WDV-40	40	1.1/2"	40	55.5	81.5	33.5	85
4M-WDV-50	50	2"	50	60.5	100	43.5	80
4M-WDV-65	65	2.1/2"	65	68	107.5	46	102
4M-WDV-80	80	3"	80	75.5	115	46	125
4M-WDV-100	100	4"	100	85.5	125	52	139
4M-WDV-125	125	5"	125	108.5	167.5	56	168
4M-WDV-150	150	6"	150	121	180	56	204
4M-WDV-200	200	8"	200	146	205	60	252
4M-WDV-250	250	10"	245	221	271	68	316
4M-WDV-300	300	12"	295	252	296	78	362
4M-WDV-350	350	14"	340	271	312	78	410
4M-WDV-400	400	16"	388	300	365	102	470
4M-WDV-450	450	18"	450	332	368	90	540
4M-WDV-500	500	20"	490	377	420	90	622

4Matic Gear Operated MS Fabricated Body With MS Fabricated Disc

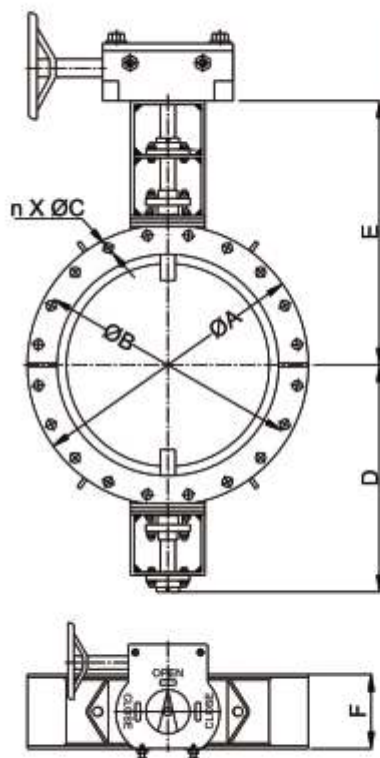
Size Range : 8" to 80"

PRESSURE / TEMPERATURE

WORKING RATING	5 KG/CM ²
TEMPERATURE	UPTO 1200 °C



No.	Description	Material	Qty.
1	Body	IS 2062 Gr. B	01
2	Disc	IS 2062 Gr. B	01
3	Shaft	AISI 410	01
4	Bearing	Standard	02
5	Gland Pata	IS 2062 Gr. B	02
6	Teflon Bush	Teflon	02
7	Graphite Ring	Graphite	02
8	Hex Bolt	S.S. 202 / S.S. 304	02
9	Seat Ring	IS 2062 Gr. B	02
10	Bottom Shaft	AISI 410	01



Dimensions :

(All Dimensions are in mm)

Valve Model	Valve Size		ØA	ØB	n	ØC	D	E	F
	MM	Inch							
AFT-MS-G-200	200	8"	320	280	8	18	340	440	150
AFT-MS-G-250	250	10"	375	335	12	18	366	466	150
AFT-MS-G-300	300	12"	440	395	12	22	398	498	150
AFT-MS-G-350	350	14"	490	445	16	22	450	550	150
AFT-MS-G-400	400	16"	540	495	16	22	450	550	150
AFT-MS-G-450	450	18"	595	550	16	22	478	578	150
AFT-MS-G-500	500	20"	645	600	20	22	502	602	200
AFT-MS-G-550	550	22"	749	692	20	22	610	710	200
AFT-MS-G-600	600	24"	755	705	20	26	610	710	200
AFT-MS-G-650	650	26"	785	744	20	26	635	735	200
AFT-MS-G-700	700	28"	860	810	24	26	610	710	200
AFT-MS-G-750	750	30"	887	846	24	26	633	723	200
AFT-MS-G-800	800	32"	975	920	24	30	678	768	200
AFT-MS-G-850	850	34"	1005	957	24	30	692	782	200
AFT-MS-G-900	900	36"	1075	1020	24	30	728	818	250
AFT-MS-G-1000	1000	40"	1175	1120	28	30	778	868	250
AFT-MS-G-1100	1100	44"	1276	1222	32	33	948	1038	250
AFT-MS-G-1200	1200	48"	1405	1340	32	33	1022	1112	250
AFT-MS-G-1400	1400	56"	1630	1560	36	36	1025	1095	300
AFT-MS-G-1600	1600	64"	1830	1760	40	36	1125	1195	300
AFT-MS-G-1800	1800	72"	2045	1970	44	39	1252	1302	300
AFT-MS-G-2000	2000	80"	2265	2180	48	42	1462	1562	300

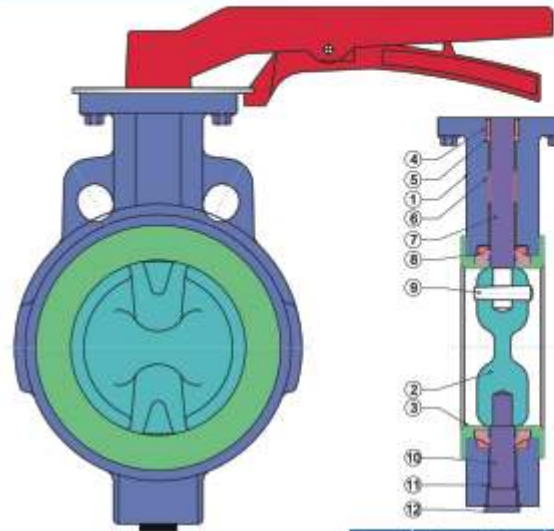
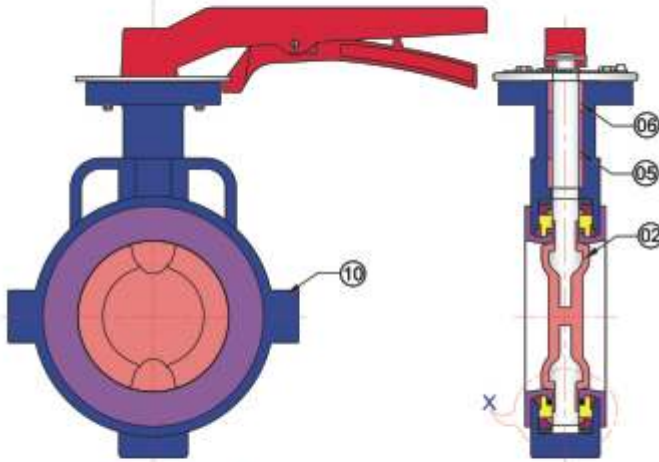
Size Upto 3000 MM On Request

4Matic Offers FEP / PFA Lined Butterfly Valve for Corrosive Application. The FEP / PFA Seat Lined Covers the entire Wetted Surface of the body and Extends on to the Flanged Contact face - thus eliminating possibility of any media contact with the body.

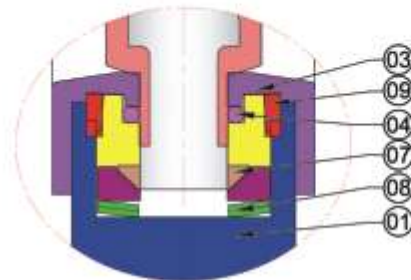
Size Range : 2" to 12"

Standard

Design and manufacturing : API 609 category A/BS 5155 / MSS SP-67 / C-504
 Valve face to face dimensions : Short wafer as per ISO 5752 Tab 5 / API 609 Category A
 Top flanged drilling : ISO 5211 Part II
 Inspection and testing : API 598 / BS 6755 / FCI-702
 Flanged standard conformity : ANSI 150, DIN PN 10 / 16



No.	Description	Material
1	Body	C.I. / D.I. / CF8 / CF8M
2	Disc	C.I. / I.I. / CF8 / CF8M
3	Seat	PTFE
4	Collar	PTFE
5	"O" Ring	Viton
6	Metal Bush	PTFE Coated
7	Top Shaft	AISI 410
8	Pad	Silicon
9	Disc Pin	S. S. 304
10	Bottom Shaft	AISI 410
11	"O" Ring	Viton
12	Plug	M. S.



Details X

No.	Description	Material	Qty.
1	Body	C.I. / C.S. / CF8 / CF8M	01
2	Disc	C.I. / C.S. / CF8 / CF8M	01
3	Sleeve	FEP / PFA	01
4	'O' Ring	Viton	02
5	Bush	PTFE (Teflon)	02
6	Bush	Metal Bush S.S. 304	02
7	Truth Bush	S.S. 304	02
8	Washer	Spring Steel	04
9	Gasket	Silicon Big	02
10	L. N. Bolt	S.S. 304	02

Dimensions :

(All Dimensions are in mm)

Valve Model	Valve Size		Port	A	B	F to F	ØD
	MM	Inch					
4M-BF-LV-50	50	2"	48	107	65	44	101
4M-BF-LV-65	65	2.1/2"	62	118	65	46	112
4M-BF-LV-80	80	3"	78	122	83	46	130
4M-BF-LV-100	100	4"	98	153	98	52	163
4M-BF-LV-125	125	5"	---	---	---	---	---
4M-BF-LV-150	150	6"	148	193	122	57	218
4M-BF-LV-200	200	8"	196	223	167	63	273
4M-BF-LV-250	250	10"	---	---	---	---	---
4M-BF-LV-300	300	12"	291	271.5	244.5	78	380

