

PRODUCTS



Pneumatic Diaphragm operated 2 Way Control Valve / 3 Way Control Valve

CKD Series (For application temperature up to 220 degrees Celsius)

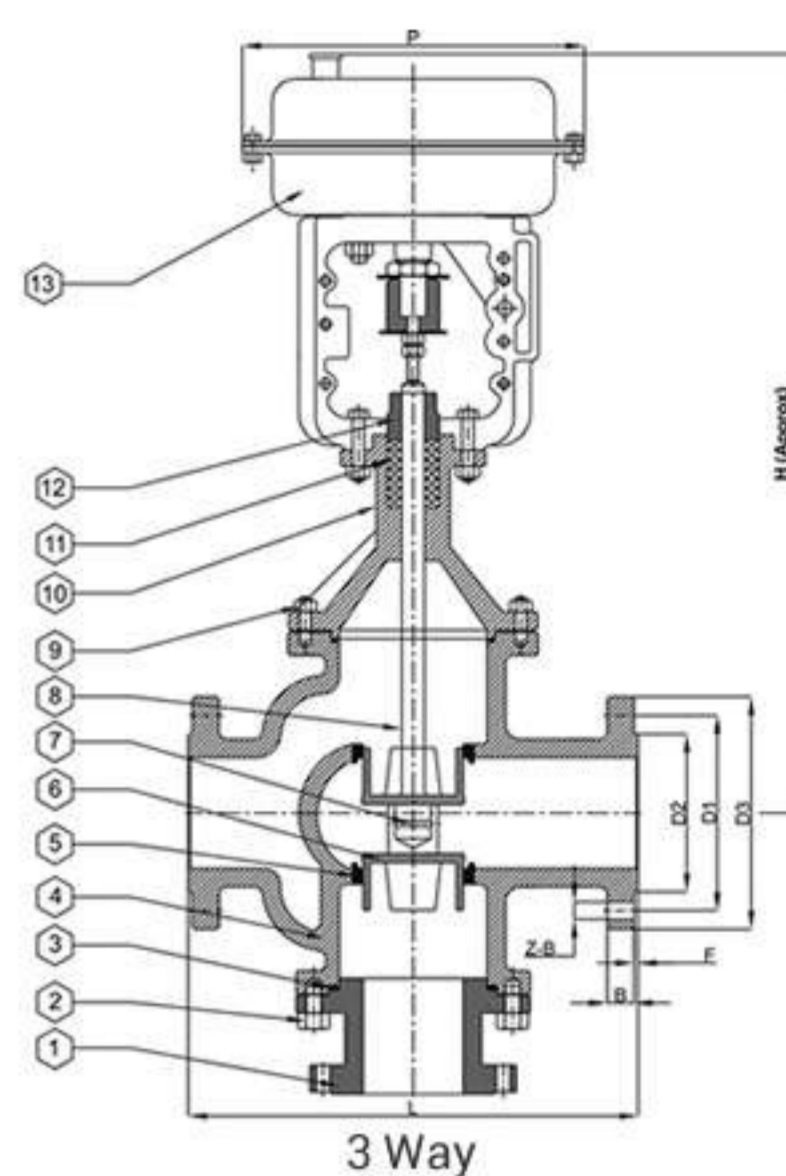
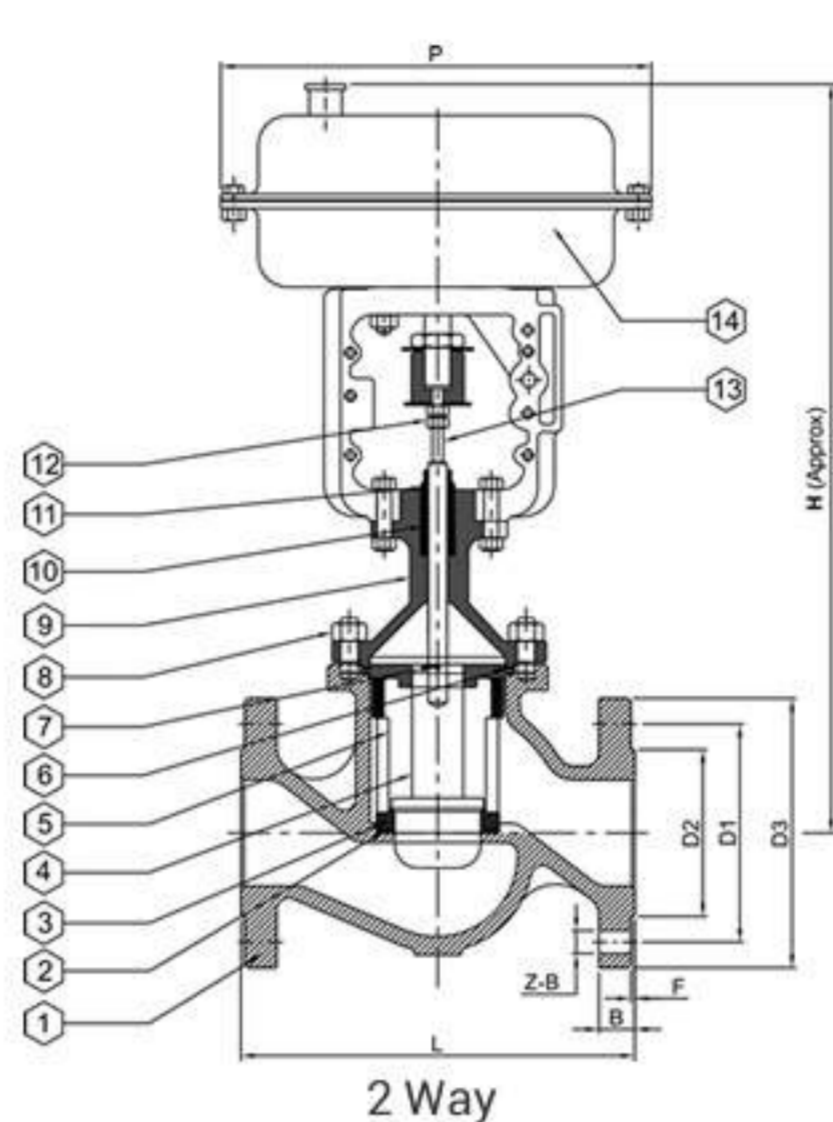
Features

- ✓ Precise Regulating with High flow capacity
- ✓ Large type of trim Top operating design for various duty conditions
- ✓ In line Repairable Design for easy maintenance
- ✓ Tight closure even in extreme operating conditions
- ✓ Multi action type Actuators to meet different application
- ✓ High flow capacity & range ability
- ✓ Top operating for easy trim inspection without disturbing the lined.
- ✓ Designed and tested to deliver 100% performance under specified operating conditions
- ✓ Wide selection of actuators to meet most requirements
- ✓ Soft Seating
- ✓ Manual Over Ride available
- ✓ MOC : WCB, CF8, CF8M, CF3M etc.



Bill of Material

No.	DESCRIPTION	MATERIALS
1	BODY	ASTM A216 / WCB
2	GASKET	S.S.304 SPIRAL WOUND
3	SEAT	S.S.410 / S.S.304
4	VALVE PLUG	S.S.410 / S.S.304
5	CAGE	ASTM A 216 / WCB
6	GASKET	S.S.304 SPIRAL WOUND
7	PIN	S.S.304 / S.S.410
8	STUD + NUT	ASTM A193 / B7-2H
9	BONNET	ASTM A 216 / WCB
10	GLAND PACKING	GRAFOIL
11	GLAND NUT	ASTM A 216 / WCB
12	NUT	ASTM A193 2H
13	SHAFT	S.S.410 / S.S.304
14	PNEUMATIC DIAPHRAM ACTUATOR	-



Technical Specifications

- ✓ Actuator : Diaphragm Air to open as a standard.
- ✓ Bonnet : Standard Design Temperature up to 220 degrees Celsius
- ✓ Internals : S.S. 304 [316 (Hard facing when required) Other materials on request]
- ✓ Gland Packing : Grafoil / Teflon
- ✓ Trim Design : Contoured parabolic / Cage guided / Pressure balanced
- ✓ Sizes : 1/2" to 12"
- ✓ Characteristic : Linear
- ✓ End Connections : Flanged end to end ANSI B 16.5 CL 150 [300 / 600 available on request]
- ✓ Pressure Ratings : ANSI B 16.5 CL 150 / 300 / 600
- ✓ Leakage : ANSI B 16.104 CL VI for metal Seating



MANUAL OVER RIDE TOP OPERATED

Accessories



Electro-Pneumatic Positioner Rotary / Liner



Micro Limit Switch Box



Filter with Regulator (Combination)



3/2 Solenoid Valve Direct Acting

Application

4matic control valves are used in a variety of industrial applications such as

- ✓ Steam And Hot Water Application
- ✓ Wood, Paper and Plywood
- ✓ Rubber Industry

Dimensional Specification

CKD			Class 150						
Size	H	P	L	D3	D1	D2	b	f	Z-B
1/2"	425	288	178	89	60.5	35	11.5	1.6	4-16
3/4"	430	288	181	98	70	43	12.7	1.6	4-16
1"	455	288	184	108	79.25	51	14.3	1.6	4-16
1.1/4"	460	288	200	117.3	89	64	15.9	1.6	4-16
1.1/2"	470	288	222	127	98.5	73	17.5	1.6	4-16
2"	530	360	254	152	120.5	92	19.1	1.6	4-16
2.1/2"	720	470	276	178	139.5	105	22.3	1.6	4-16
3"	720	470	298	190	152.5	127	23.9	1.6	4-16
4"	720	470	352	229	190.5	157	23.9	1.6	8-19
6"	815	470	451	279	241	216	25.4	1.6	8-22
8"	875	470	553	342	298.5	270	28.6	1.6	8-22
10"	-	580	673	406	362	324	30.2	1.6	12-25
12"	-	580	737	483	432	381	31.8	1.6	12-25

CKD			Class 300						
Size	H	P	L	D3	D1	D2	b	f	Z-B
1/2"	425	288	190	95	66.5	35	14.3	1.6	4-16
3/4"	430	288	194	117	82.5	43	15.9	1.6	4-19
1"	455	288	197	124	89	51	17.5	1.6	4-19
1.1/4"	460	288	213	133	98.5	64	19.5	1.6	4-19
1.1/2"	470	288	235	156	114.5	73	20.7	1.6	4-22
2"	640	360	267	165	127	92	22.3	1.6	8-19
2.1/2"	830	470	292	190	149	105	25.4	1.6	8-22
3"	830	470	317	210	168	127	28.6	1.6	8-22
4"	830	470	368	254	200	157	31.8	1.6	8-22
6"	815	580	473	318	270	216	36.6	1.6	12-22
8"	875	580	568	381	330	270	41.3	1.6	12-25
10"	-	580	708	444	387.5	324	47.7	1.6	16-29
12"	-	580	775	521	451	381	50.8	1.6	16-32

* The above details are subject to changes without prior notice.

PRODUCTS



Pneumatic Diaphragm operated 2 Way Control Valve / 3 Way Control Valve

CND Series (For application temperature up to 450 degrees Celsius)

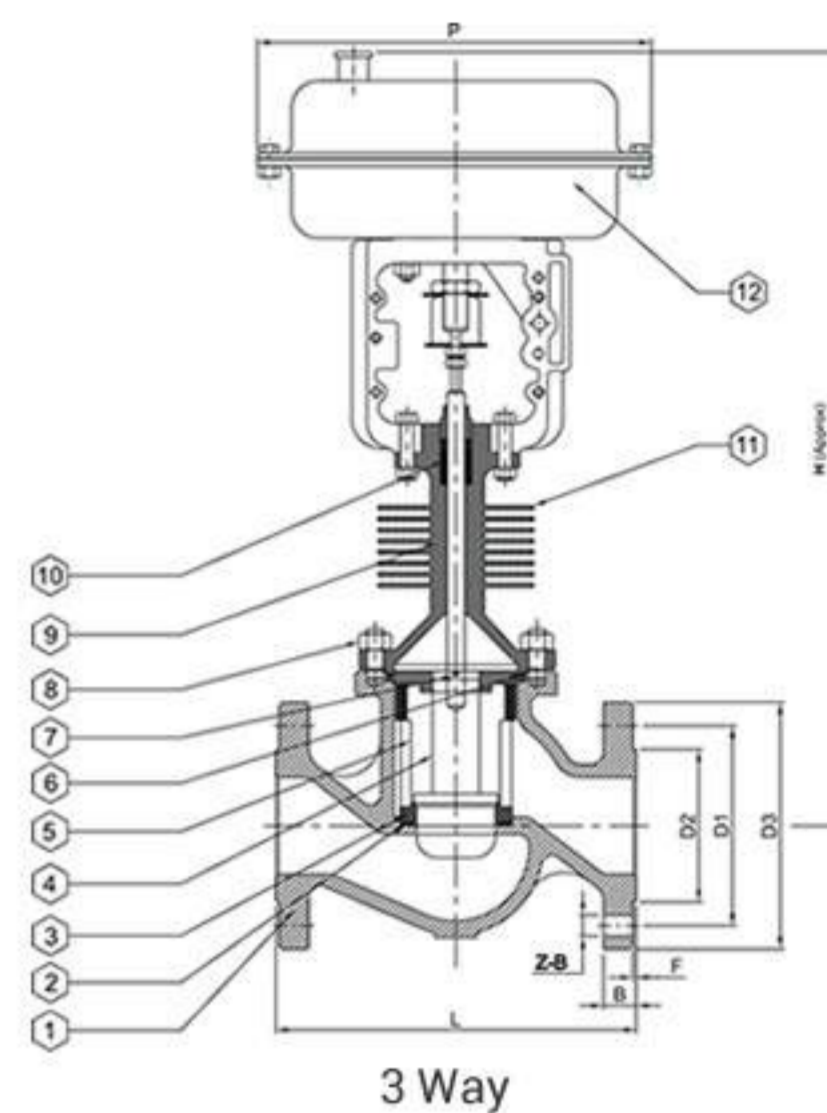
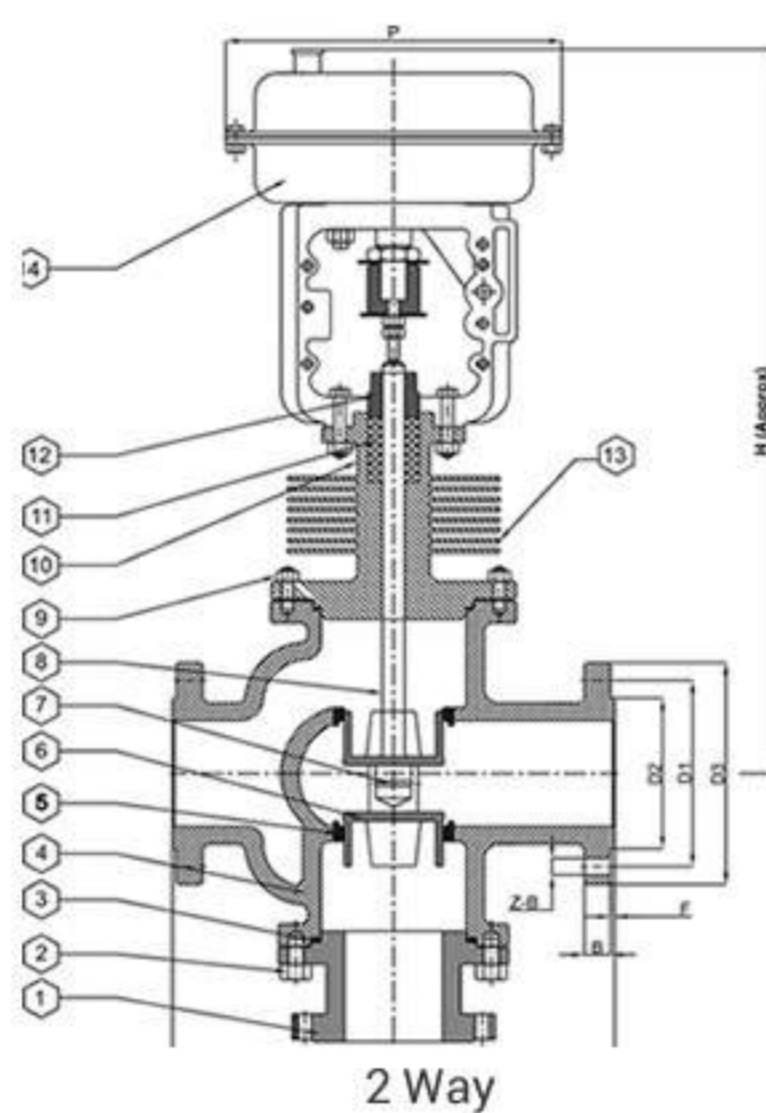
Features

- ✓ Globe Pattern single seated Control Valve.
- ✓ Precise Regulating with High flow capacity
- ✓ Large type of trim Top operating design for various duty conditions
- ✓ In line Repairable Design for easy maintenance
- ✓ Tight closure even in extreme operating conditions
- ✓ Multi action type Actuators to meet different application
- ✓ High flow capacity & range ability
- ✓ Top operating for easy trim inspection without disturbing the lined.
- ✓ Designed and tested to deliver 100% performance under specified operating conditions
- ✓ Wide selection of actuators to meet most requirements
- ✓ Metal to Metal Seating
- ✓ Manual Over Ride available
- ✓ MOC : WCB, CF8, CF8M, CF3M etc.



Bill of Material

No.	DESCRIPTION	MATERIALS
1	BODY	ASTM A216 / WCB
2	GASKET	S.S.304 SPIRAL WOUND
3	SEAT	S.S.410 / S.S.304
4	VALVE PLUG	S.S.410 / S.S.304
5	CAGE	ASTM A 216 / WCB
6	GASKET	S.S.304 SPIRAL WOUND
7	PIN	S.S.304 / S.S.410
8	STUD + NUT	ASTM A193 / B7-2H
9	BONNET	ASTM A 216 / WCB
10	GLAND PACKING	GRAFOIL / PTFE
11	HEAT TRANSFER FINS	SHEET METAL
12	PNEUMATIC DIAPHRAGM ACTUATOR	-



Technical Specifications

- ✓ Actuator : Diaphragm Air to open as a standard.
- ✓ Bonnet : Extended with FINS for (Temperature 450 degrees Celsius)
- ✓ Internals : S.S. 304 [316 (Hard facing when required) Other materials on request]
- ✓ Gland Packing : Grafoil / Teflon
- ✓ Trim Design : Contoured parabolic / Cage guided / Pressure balanced
- ✓ Sizes : 1/2" to 12"
- ✓ Characteristic : Linear
- ✓ End Connections : Flanged end to end ANSI B 16.5 CL 150 [300 / 600 available on request]
- ✓ Pressure Ratings : ANSI B 16.5 CL 150 / 300 / 600
- ✓ Leakage : ANSI B 16.104 CL IV for metal Seating



MANUAL OVER RIDE TOP OPERATED

Accessories



Electro-Pneumatic Positioner Rotary / Liner



Micro Limit Switch Box



Filter with Regulator (Combination)



3/2 Solenoid Valve Direct Acting

Application

4matic control valves are used in high temperature and control critical industrial applications such as

- ✓ Thermic Fluid Applications and Hot Oil Applications
- ✓ Boiler and Economiser Applications
- ✓ Coconut Desiccation Industry

Dimensional Specification

CND			Class 150						
Size	H	P	L	D3	D1	D2	b	f	Z-B
1/2"	490	288	178	89	60.5	35	11.5	1.6	4-16
3/4"	495	288	181	98	70	43	12.7	1.6	4-16
1"	590	288	184	108	79.25	51	14.3	1.6	4-16
1.1/4"	595	288	200	117.3	89	64	15.9	1.6	4-16
1.1/2"	600	288	222	127	98.5	73	17.5	1.6	4-16
2"	630	360	254	152	120.5	92	19.1	1.6	4-19
2.1/2"	840	470	276	178	139.5	105	22.3	1.6	4-19
3"	840	470	298	190	152.5	127	23.9	1.6	4-19
4"	880	470	352	229	190.5	157	23.9	1.6	8-19
6"	990	470	451	279	241	216	25.4	1.6	8-22
8"	1050	470	553	342	298.5	270	28.6	1.6	8-22
10"	1340	580	673	406	362	324	30.2	1.6	12-25
12"	1370	580	737	483	432	381	31.6	1.6	12-25

CND			Class 300						
Size	H	P	L	D3	D1	D2	b	f	Z-B
1/2"	490	288	190	95	66.5	35	14.3	1.6	4-16
3/4"	495	288	194	117	82.5	43	15.9	1.6	4-19
1"	590	288	197	124	89	51	17.5	1.6	4-19
1.1/4"	595	288	213	133	98.5	64	19.5	1.6	4-19
1.1/2"	600	288	235	156	114.5	73	20.7	1.6	4-22
2"	740	360	267	165	127	92	22.3	1.6	8-19
2.1/2"	950	470	292	190	149	105	25.4	1.6	8-22
3"	950	470	317	210	168	127	28.6	1.6	8-22
4"	990	470	368	254	200	157	31.8	1.6	8-22
6"	990	470	473	318	270	216	36.6	1.6	12-22
8"	1050	470	568	381	330	270	41.3	1.6	12-25
10"	1340	580	708	444	387.5	324	47.7	1.6	16-29
12"	1370	580	775	521	451	381	50.8	1.6	16-32

*The above details are subject to changes without prior notice.