

4Matic

Industrial Valves and Valve Automation



LIMIT SWITCH BOXES



WORM GEAR BOX



MANUAL OVERRIDE



IP CONVERTER

VALVE AUTOMATION ACCESSORIES

FOR PNEUMATIC ACTUATOR & MANUAL VALVES //



POSITIONERS



LSB FOR CYLINDER



LSB FOR ACTUATOR



TEMPER SWITCH FOR VALVES



MANUAL OVERRIDE



MANUAL GEAR BOX



BEVEL GEAR BOX



POSITIONER FOR CONTROL VALVE



SOLENOID VALVE

www.4maticvalves.com

APPROVALS



TUV NORD



IEC



SIL3



ATEX



PESO



CE



4Matic is a Designer, Manufacturer & Marketer of Valve Positioner, Limit Switch Box, Namur Solenoid Valve, Manual Override & Related Accessories used for Valve, Dampers & Automation Equipment Manufacturers, in a versatile variety of Process Automation. We Help Industry moving towards Industry Forum 4.0, By Giving Reliable & Sustainable Data's of Process Valve's.

moving towards **future**



BLUETOOTH



WIFI



GSM



LIMIT SWITCH BOX



AIR LOCK VALVE



E/P SMART POSITIONER



VOLUME BOOSTER

JUNCTION BOX



IP CONVERTER

MANUAL OVERRIDE



MICRO LIMIT SWITCH BOX



WEATHER PROOF



SIL 3 APPROVED

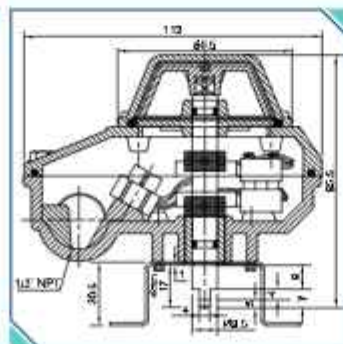
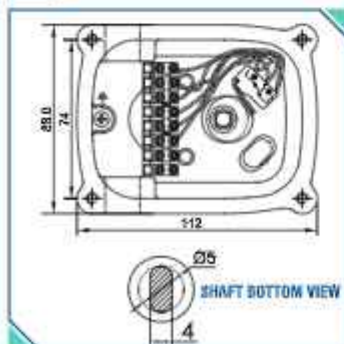
4MVP-WP Series

FEATURES

- VISUAL POSITION INDICATOR.
- 6 CONTACTS OF TERMINAL PORTS.
- COMPATIBILITY WITH ANY ROTARY MOTION ACTUATOR ISO 5211.
- EASY ADJUSTMENT OF CAM POSITION.
- DUAL 1/2" CONDUIT ENTRIES.

TECHNICAL SPECIFICATION :

TYPE	MECHANICAL SWITCH X 2	PROXIMITY SENSORS P&F & OTHER MAKE	
SWITCH	HONEYWELL	P & F	OTHER ON REQUEST
TYPE	1 NO + 1N C (OTHER ON REQUEST)		
SWITCH RATING	AC 250V 3A, 125V 5A DC 250V 0.2A, 125V 0.4A, 30V 4A		
ENCLOSURE PROTECTION	IP 67		
AMBIENT TEMP.	-20°C - 80°C		
CONDUIT ENTRY	NPT 1/2" (OTHER OPTION AVAILABLE ON REQUEST)		
TERMINAL	6 POINTS		
MOUNTING BRACKET	NAMUR VDI / VDE 3845, ISO 5211 (80 mm x 30 mm or 120 mm x 30 mm) (ADJUSTABLE BRACKET AVAILABLE ON REQUEST)		
MATERIAL	ALUMINIUM PRESSURE DIE CAST		



NO.	DESCRIPTION	MATERIAL
1	ENCLOSURE COVER / BODY	ALUMINIUM DIECAST, POWDER COATED
2	POSITION INDICATOR DOME (EXTERNAL OF ENCLOSURE)	POLY CARBONATE
3	POSITION INDICATOR (EXTERNAL OF ENCLOSURE)	YELLOW/RED OPEN/CLOSE INDICATOR (ABS)
4	SHAFT (OPERATING ROD)	STAINLESS STEEL
5	SWITCHES	1 NO + 1NC / 2 NOS. (AS PER CLIENT)
6	CABLE ENTRY	1/2" NPT (OTHER ON REQUEST)
7	TERMINAL	STANDARD SCREW TERMINAL

(ALL DIMENSIONS ARE IN MM)

SWITCHES & SENSORS OFFERED : **Honeywell** | **PH PEPPERL+FUCHS** | **OMRON** | **TURCK** | **SMARTEC** | **SMARTEC**



WEATHER PROOF



SIL 3 APPROVED

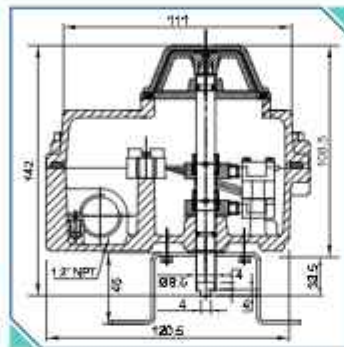
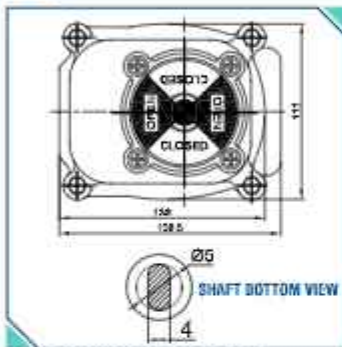
4MVP-5TD Series

FEATURES

- VISUAL POSITION INDICATOR.
- 6 CONTACTS OF TERMINAL PORTS.
- COMPATIBILITY WITH ANY ROTARY MOTION ACTUATOR ISO 5211.
- EASY ADJUSTMENT OF CAM POSITION.
- DUAL 1/2" CONDUIT ENTRIES.

TECHNICAL SPECIFICATION :

TYPE	MECHANICAL SWITCH X 2	PROXIMITY SENSORS P&F MAKE	
SWITCH	HONEYWELL	P & F	OTHER ON REQUEST
TYPE	1 NO + 1N C (OTHER ON REQUEST)		
SWITCH RATING	AC 250V 3A, 125V 5A DC 250V 0.2A, 125V 0.4A, 30V 4A		
ENCLOSURE PROTECTION	IP 67		
AMBIENT TEMP.	-20°C ~ -80°C		
CONDUIT ENTRY	NPT 1/2" (OTHER OPTION AVAILABLE ON REQUEST)		
TERMINAL	8 POINTS		
MOUNTING BRACKET	NAMUR VDI / VDE 3845, ISO 5211 (80 mm x 30 mm or 120 mm x 30 mm) (ADJUSTABLE BRACKET AVAILABLE ON REQUEST)		
MATERIAL	ALUMINIUM PRESSURE DIE CAST		



NO.	DESCRIPTION	MATERIAL
1	ENCLOSURE COVER / BODY	ALUMINIUM DIECAST, POWDER COATED
2	POSITION INDICATOR DOME (EXTERNAL OF ENCLOSURE)	POLY CARBONATE
3	POSITION INDICATOR (EXTERNAL OF ENCLOSURE)	YELLOW/RED OPEN/CLOSE INDICATOR (ABS)
4	SHAFT (OPERATING ROD)	STAINLESS STEEL
5	SWITCHES	1 NO + 1NC / 2 NOS. (AS PER CLIENT)
6	CABLE ENTRY	1/2" NPT (OTHER ON REQUEST)
7	TERMINAL	STANDARD SCREW TERMINAL

(ALL DIMENSIONS ARE IN MM)

SWITCHES & SENSORS OFFERED : **Honeywell** | **OMRON** | **PEPPERL+FUCHS** | **TURCK** | **SMARTE SYSTEMS**

S.5. LIMIT SWITCH BOX



WEATHER PROOF



SIL 3 APPROVED

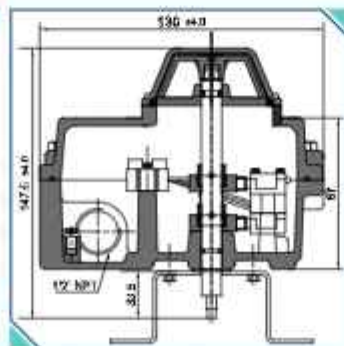
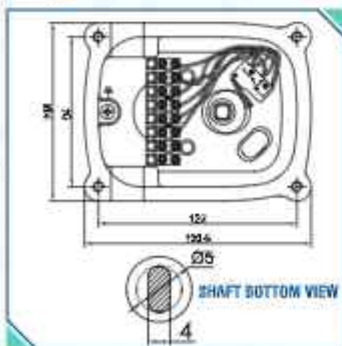
4MVP-5WP Series

FEATURES

- VISUAL POSITION INDICATOR.
- 6 CONTACTS OF TERMINAL PORTS.
- COMPATIBILITY WITH ANY ROTARY MOTION ACTUATOR ISO 5211.
- EASY ADJUSTMENT OF CAM POSITION.
- DUAL 1/2" CONDUIT ENTRIES.

TECHNICAL SPECIFICATION :

TYPE	MECHANICAL SWITCH X 2	PROXIMITY SENSORS P&F MAKE	
SWITCH	HONEYWELL	P & F	OTHER ON REQUEST
TYPE	1 NO + 1N C (OTHER ON REQUEST)		
SWITCH RATING	AC 250V 3A, 125V 5A DC 250V 0.2A, 125V 0.4A, 30V 4A		
ENCLOSURE PROTECTION	IP 67		
AMBIENT TEMP.	-20°C ~ -80°C		
CONDUIT ENTRY	NPT 1/2" (OTHER OPTION AVAILABLE ON REQUEST)		
TERMINAL	8 POINTS		
MOUNTING BRACKET	NAMUR VDI / VDE 3845, ISO 5211 (80 mm x 30 mm or 120 mm x 30 mm) (ADJUSTABLE BRACKET AVAILABLE ON REQUEST)		
MATERIAL	ALUMINIUM / STAINLESS STEEL 304 (STAINLESS STEEL 316 ON REQUEST)		



NO.	DESCRIPTION	MATERIAL
1	ENCLOSURE COVER / BODY	S. STEEL 304 (CF8) / S. STEEL 316 (CF8M)
2	POSITION INDICATOR DOME (EXTERNAL OF ENCLOSURE)	POLY CARBONATE
3	POSITION INDICATOR (EXTERNAL OF ENCLOSURE)	YELLOW/RED OPEN/CLOSE INDICATOR (ABS)
4	SHAFT (OPERATING ROD)	STAINLESS STEEL
5	SWITCHES	1 NO + 1NC / 2 NOS. (AS PER CLIENT)
6	CABLE ENTRY	1/2" NPT (OTHER ON REQUEST)
7	TERMINAL	STANDARD SCREW TERMINAL

(ALL DIMENSIONS ARE IN MM)

SWITCHES & SENSORS OFFERED : **Honeywell** | **OMRON** | **PEPPERL+FUCHS** | **TURCK** | **SMARTE SYSTEMS**

SQUARE LIMIT SWITCH BOX

4Matic



ATEX APPROVED



PESO APPROVED



SIL3 APPROVED



FLAME PROOF

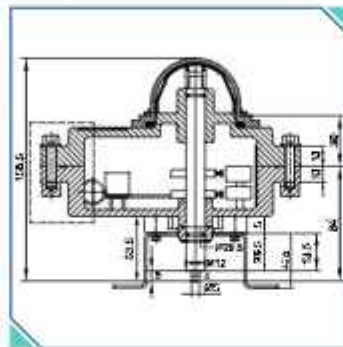
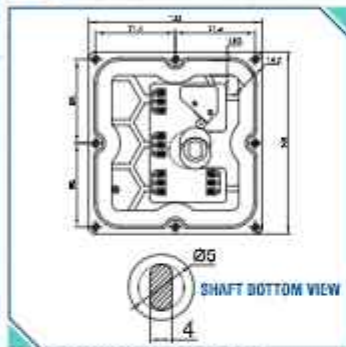
4MVP-FLP Series

FEATURES

- EASY TO SET COLOUR CODED CAM.
- ALL FASTENERS IN STAINLESS STEEL.
- WATER, RAIN PROOF TO IP 67.
- ADDITIONAL MOUNTING HOLE THREADED.
- CMRI, PESO CCOE CERTIFIED.

TECHNICAL SPECIFICATION :

TYPE	MECHANICAL SWITCH X 2	PROXIMITY SENSORS P&F MAKE	
SWITCH	HONEYWELL	P & F	OTHER ON REQUEST
TYPE	1 NO + 1N C (OTHER ON REQUEST)		
SWITCH RATING	AC 250V 3A, 125V 5A, 10A & 16A DC 250V 0.2A, 125V 0.4A, 30V 4A		
ENCLOSURE PROTECTION	IP 67		
AMBIENT TEMP.	-20°C - 80°C		
CONDUIT ENTRY	NPT 1/2" (OTHER OPTION AVAILABLE ON REQUEST)		
TERMINAL	8 POINTS		
MOUNTING BRACKET	NAMUR VDI / VDE 3845, ISO 5211 (80 mm x 30 mm or 120 mm x 30 mm) (ADJUSTABLE BRACKET AVAILABLE ON REQUEST)		
MATERIAL	ALUMINIUM PRESSURE DIE CAST		



(ALL DIMENSIONS ARE IN MM)

SWITCHES & SENSORS OFFERED : **Honeywell** : **OMRON** : **PEPPERL+FUCHS** : **TURCK** : **SMARTE SYSTEMS**

NO.	DESCRIPTION	MATERIAL
1	ENCLOSURE COVER / BODY	ALUMINIUM DIECAST, POWDER COATED
2	POSITION INDICATOR DOME (EXTERNAL OF ENCLOSURE)	POLY CARBONATE
3	POSITION INDICATOR (EXTERNAL OF ENCLOSURE)	YELLOW/RED OPEN/CLOSE INDICATOR (ABS)
4	SHAFT (OPERATING ROD)	STAINLESS STEEL
5	SWITCHES	1 NO + 1NC / 2 NOS. (AS PER CLIENT)
6	CABLE ENTRY	1/2" NPT (OTHER ON REQUEST)
7	TERMINAL	STANDARD SCREW TERMINAL

ROUND LIMIT SWITCH BOX



5. STEEL

ALUMINIUM



ATEX APPROVED



PESO APPROVED



SIL3 APPROVED

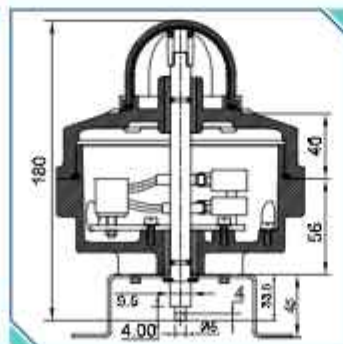
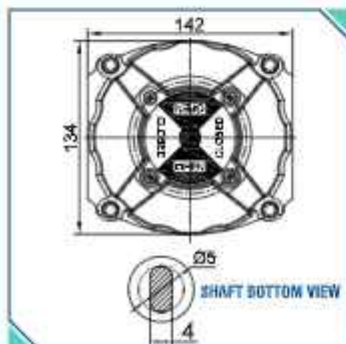


FLAME PROOF

4MVPR-FLP Series

TECHNICAL SPECIFICATION :

TYPE	MECHANICAL SWITCH X 2	PROXIMITY SENSORS P&F & OTHER MAKE	
SWITCH	HONEYWELL	P & F	OTHER ON REQUEST
TYPE	1 NO + 1N C (OTHER ON REQUEST)		
SWITCH RATING	AC 250V 3A, 125V 5A, 10A & 16A DC 250V 0.2A, 125V 0.4A, 30V 4A		
ENCLOSURE PROTECTION	IP 67		
AMBIENT TEMP.	-20°C - 80°C		
CONDUIT ENTRY	NPT 3/4" (OTHER OPTION AVAILABLE ON REQUEST)		
TERMINAL	8 POINTS		
MOUNTING BRACKET	NAMUR VDI / VDE 3845, ISO 5211 (80 mm x 30 mm or 120 mm x 30 mm) (ADJUSTABLE BRACKET AVAILABLE ON REQUEST)		
MATERIAL	ALUMINIUM / STAINLESS STEEL 304 (STAINLESS STEEL 316 ON REQUEST)		



(ALL DIMENSIONS ARE IN MM)

SWITCHES & SENSORS OFFERED : **Honeywell** : **OMRON** : **PEPPERL+FUCHS** : **TURCK** : **SMARTE SYSTEMS**

NO.	DESCRIPTION	MATERIAL
1	ENCLOSURE COVER / BODY	ALUMINIUM, S.S. 304 (CFB) / S.S. 316 (CFBM)
2	POSITION INDICATOR DOME (EXTERNAL OF ENCLOSURE)	POLY CARBONATE
3	POSITION INDICATOR (EXTERNAL OF ENCLOSURE)	YELLOW/RED OPEN/CLOSE INDICATOR (ABS)
4	SHAFT (OPERATING ROD)	STAINLESS STEEL
5	SWITCHES	1 NO + 1NC / 2 NOS. (AS PER CLIENT)
6	CABLE ENTRY	1/2" NPT (OTHER ON REQUEST)
7	TERMINAL	STANDARD SCREW TERMINAL



ROTARY



LINEAR

4MCP-1200 Series

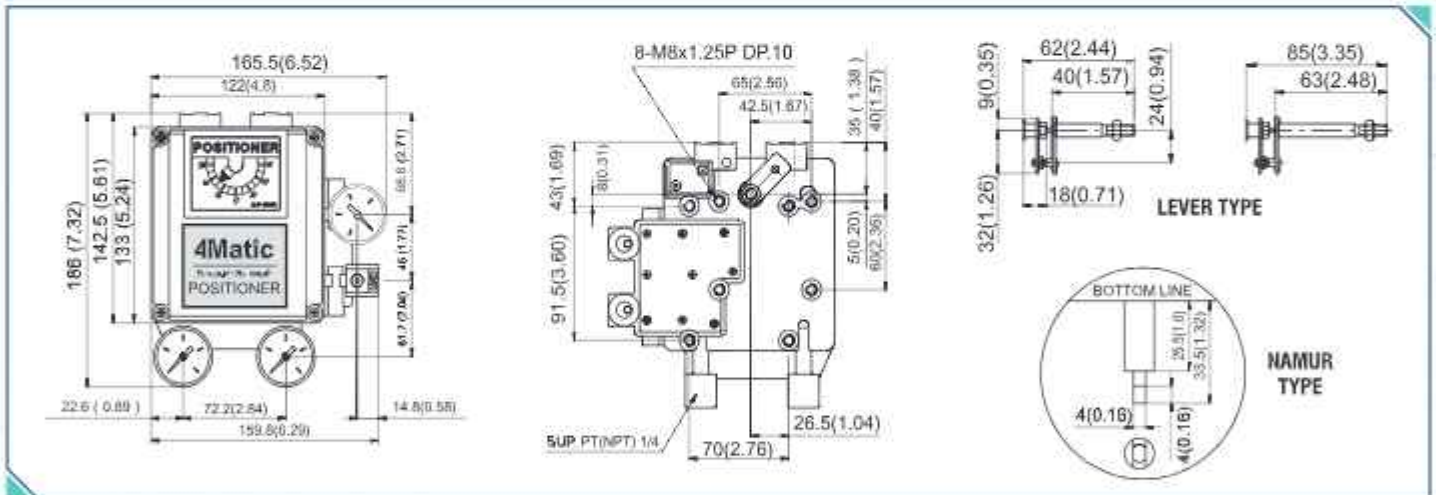
TECHNICAL SPECIFICATION :

DESCRIPTION	DETAILS
INPUT SIGNAL	0.2-1 kgf/cm ² (3-15psi)
SUPPLY PRESSURE	1.4-7 kgf/cm ² (20-100psi)
STROKE	0°-90° (R), 10-150mm (L)
AIR CONNECTION	PT (NPT) 1/4
GAUGE CONNECTION	PT (NPT) 1/8
ENCLOSURE PROTECTION	WEATHER PROOF
AMBIENT TEMPERATURE	-20°C-70°C
LINEARITY	±1.0% (L-SA) / ±2.0% (L-DA) / ±2.0% (R)
HYSTERESIS	±1.0%
SENSITIVITY	±0.2% (L-SA) / ±0.5% (L-DA, R)
AIR CONSUMPTION	2.5LPM (Sup=1.4 kgf/cm ² , 20psi)
FLOW CAPACITY	80LPM (Sup=1.4 kgf/cm ² , 20psi)
MATERIAL	ALUMINIUM DIE CASTING

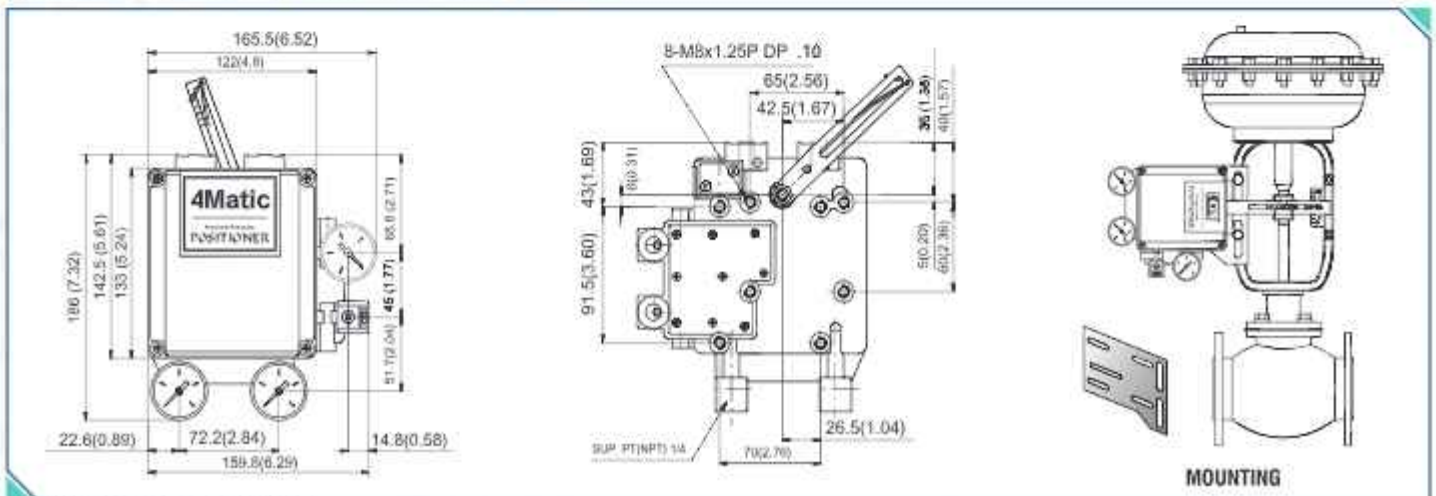
FEATURES

- SUITABLE FOR USE ON ROTARY AND LINEAR APPLICATIONS.
- CERTIFIED FOR USE IN ALL HAZARDOUS AREAS.
- SUITABLE FOR USE ON ANALOG AND ON/OFF CONTROL.
- INTEGRATED SOLUTIONS
(ANALOG INPUT & OUTPUT + SENSORS, BUS + SENSORS + PILOT)
- TECHNOLOGY LEADERSHIP IN AUTOMATED ON/OFF VALVES.

PNEUMATIC - PNEUMATIC ROTARY POSITIONER DRAWING :



PNEUMATIC - PNEUMATIC LINEAR POSITIONER DRAWING :



(ALL DIMENSIONS ARE IN MM)



ROTARY



LINEAR

4MCEP-1000 Series

FEATURES

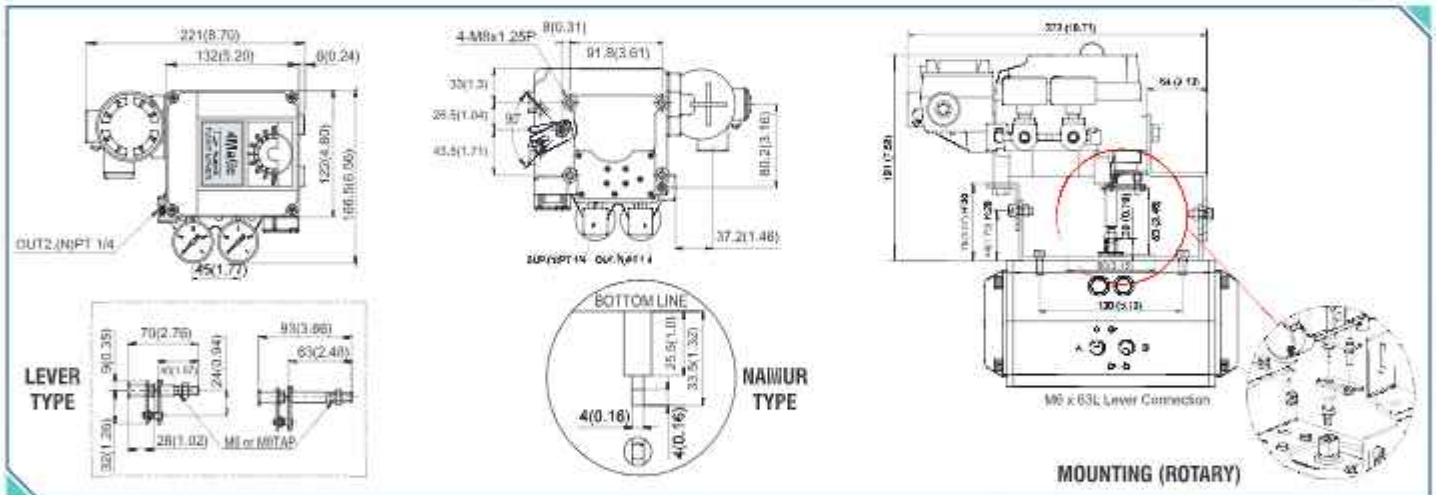
- SUITABLE FOR USE ON ROTARY AND LINEAR APPLICATIONS.
- CERTIFIED FOR USE IN ALL HAZARDOUS AERAS.
- SUITABLE FOR USE ON ANALOG AND ON/OFF CONTROL.
- INTEGRATED SOLUTIONS
(ANALOG INPUT & OUTPUT + SENSORS, BUS + SENSORS + PILOT)
- TECHNOLOGY LEADERSHIP IN AUTOMATED ON/OFF VALVES.

* SMART E/P POSITIONER WITH H.A.R.T. (AVAILABLE ON REQUEST)

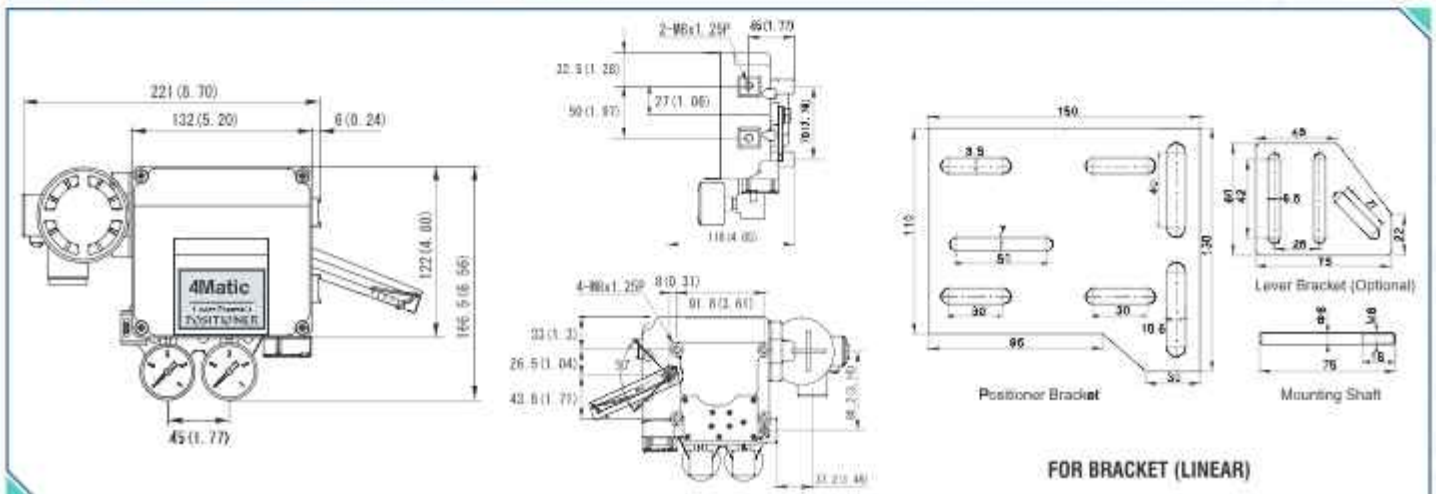
TECHNICAL SPECIFICATION :

DESCRIPTION	DETAILS
INPUT SIGNAL	4-20mA DC (5-15mA DC)
IMPEDANCE	250±150
SUPPLY PRESSURE	1.4-7 kgf/cm ² (20-100psi)
STROKE	0°-90° (R), 10-150mm (L)
AIR CONNECTION	G (NPT) 1/4
GUAGE CONNECTION	G (NPT) 1/8
CONDUIT	G (NPT) 1/2 or M20X1.5
EXPLOSION PROOF	Ex d IIB T6 Gb, Ex IIC T6 Ga, Non-Explosion
ENCLOSURE PROTECTION	IP 65 WEATHER PROOF
AMBIENT TEMPERATURE	-20°C~70°C
LINEARITY	±1.0% (SA) ±2.0% (DA)
HYSTERESIS	±1.0%
SENSITIVITY	±0.2% (SA) ±0.5% (DA)
AIR CONSUMPTION	2.5LPM (Sup=1.4 kgf/cm ² , 20psi)
FLOW CAPACITY	80LPM (Sup=1.4 kgf/cm ² , 20psi)
MATERIAL	ALUMINIUM DIE CASTING

ELECTRO - PNEUMATIC ROTARY POSITIONER DRAWING :



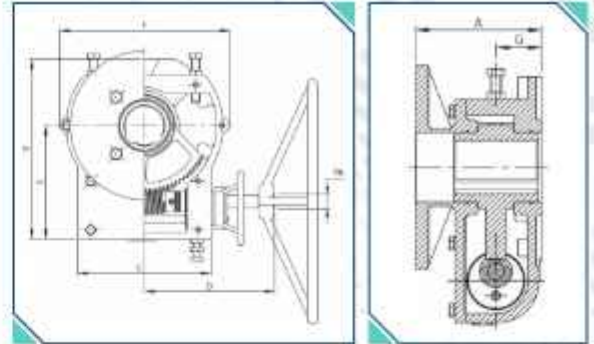
ELECTRO - PNEUMATIC LINEAR POSITIONER DRAWING :



(ALL DIMENSIONS ARE IN MM)



4MCMO Series



FEATURES

- ISO MOUNTING PATTERN.
- AVAILABLE FOR UP TO 12,000 NM OUTPUT TORQUE.
- HIGH PERFORMANCE AXIAL BEARING.
- RUGGED DECLUTCH LEVER AND ENGAGE KNOB.
- SANDWICH MOUNTING. THE CMO SERIES DECLUTCHABLE MANUAL OVERRIDE IS SANDWICH MOUNTED BETWEEN THE ACTUATOR AND VALVE / DAMPER FOR A LOW PROFILE DESIGN.
- TRAVEL STOPS. THE CMO SERIES DECLUTCHABLE MANUAL OVERRIDE HAS INTERNAL TRAVEL STOPS WHICH ALLOW FOR THE VALVE TO BE INDEPENDENTLY OPERATED WITH THE ACTUATOR REMOVED, (STROKE -D DEG TO 90 DEG + 5 DEG)

TECHNICAL SPECIFICATION :

(ALL DIMENSIONS ARE IN MM)

MODEL	RATED OUTPUT TORQUE (Nm)	MECH. ADVANTAGE ±10%	RATIO	ISO 5211 MOUNTING	MAX DRIVE BORE	RECOMMENDED HAND WHEEL (±10 MM)	DIMENSIONS								APPROX UNIT WEIGHT (KG)
							A	B	C	D	E	F	G	SQ.	
4MEA-0.5	200	9	40:1	F05, F07	Ø27	Ø200	69.5	92	94	135	40	97.5	25	9	1.500
4MEA-1.5	650	9	30:1	F10, F12	Ø45	Ø350	113	173	148	157.5	58.75	148	72.8	11	9.000
4MEA-2.5	650	9	30:1	F10, F12	Ø30	Ø350	113	173	148	157.5	58.75	148	72.8	11	4.500
4MEA-3.5	1500	17	71:1	F10, F12, F14	Ø60	Ø350	150.5	225	158	231	64.5	211	106	16	25.000
4MEA-4	2500	17	80:1	F14	Ø85	Ø500	163	284	217	238	124	278	106	16	31.000
4MEA-4.5	3500	22	90:1	F16	Ø80	Ø500	189.75	369	274	265.5	233	348	68	16	60.000
4MEA-5.5	5000	50	264:1	F16, F25	Ø80	Ø500	139	378	271	325	137	322	62.7	16	70.000
4MEA-6.5	9000														
4MEA-7.5	13000														

ON REQUEST

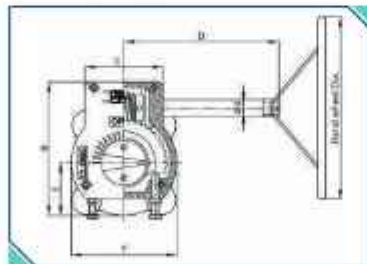
WORM GEAR BOX



4MCEA Series

FEATURES

- QUARTER TURN MANUAL GEAR ACTUATORS.
- TOTALLY ENCLOSED AND SEALED FOR IP 67 AND IP 65.
- EXTERNALLY ADJUSTABLE MECHANICAL STOPS AT 0 Deg. TO 90 Deg. (±5 Deg.)



DESCRIPTION	MATERIAL
BODY / COVER	CAST IRON (IS 210 Gr. FG 220)
GASKET	STYLE - 20 RED BEARING
'O' RING FOR SHAFT	NITRILE BUNA - N Gr, ØD
WORM GEAR	ASTM A536 Gr. 80-55-06 US 2789 GR. 500/7
WORM	BS-970-90. EN-8, Ø60M40
SHAFT	EN 8
'O' RING FOR BODY & COVER	NITRILE BUNA - N Gr, ØD
BRASS BUSH	BRASS
ADJUSTABLE HEX BOLT / NUT	M.S.
PACKING BUSH	NITRILE BUNA - N Gr, ØD
DOWEL PIN	SPRING STEEL
HEX BOLT / WASHER	M.S.
'O' RING FOR ADJUSTABLE HEX BOLT	NITRILE BUNA - N Gr, ØD
INDICATOR	ABS RESIN (ACRYLONITRILE BUTADIENE STYRENE)
INDICATOR BOLT	STAINLESS STEEL (IS-1364 DIN 933)
HAND WHEEL	M.S. (FABRICATED) WITH POWDER COATED
HAND WHEEL HEX BOLT / WASHER	M.S.

TECHNICAL SPECIFICATION :

(ALL DIMENSIONS ARE IN MM)

MODEL	RATED OUTPUT TORQUE (Nm)	MECH. ADVANTAGE ±10%	RATIO	TURNS TO CLOSE	ISO 5211 MOUNTING	MAX DRIVE BORE	RECOMM. HAND WHEEL (±10 MM)	DIMENSIONS								APPROX UNIT WEIGHT (KG)
								A	B	C	D	E	F	G	ØD	
4MEA-18	180	8	40:1	0.25	F05, F07	11x11 / 14x14	Ø130	48.5	100	82	135.5	33.5	80	25	12	1.100
4MEA-20	300	8	33:1	0.25	F07, F10	14x14 / 17x17	Ø200	54	115	85	163	43	100	16	12	2.100
4MEA-25	500	10	40:1	10	F10, F12	17x17/22x22/27x27	Ø250	62	143.5	100	175	55	123.5	36	16	5.000
4MEA-30	700	10	40:1	10	F10, F12	22x22 / 27x27	Ø350	74	162	95	208	43	128	39	20	6.500
4MEA-40	1000	12	44:1	11	F14	36x36	Ø350	86	176	116	210	70	140	47	20	9.500
4MEA-50	1500	14	48:1	12	F14	36x36	Ø500	82	198	140	249	81	172	45	20	12.000
4MEA-60	2000	16	60:1	15	F14	36x36	Ø500	84	216	157	239	84	176	46	20	15.000
4MEA-70	3500	20	73:1	18.25	F16 / F25	46x46	Ø600	116	284	205	300	86	253	64	25	48.000
4MEA-80	3000	22	80:1	20	F25	55x55	Ø500	122.5	245	232	253	84	244	64	25	30.000
4MEA-90	4000	24	90:1	22.5	F16, F25	55x55	Ø600	133	305	268	249	100	350	78	25	58.000

*AVAILABLE UPTO 1.5 LAKH (Nm)



4MNAM Series



WEATHER
PROOF



FLAME
PROOF



PESO
APPROVED

TECHNICAL SPECIFICATION :

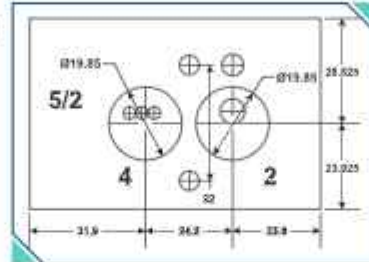
DESCRIPTION	MATERIAL			
	ANODIZED ALUMINIUM	BRASS	SS 316	SS 316
BODY	ANODIZED ALUMINIUM	BRASS	SS 316	SS 316
INTERNALS	ALUMINIUM BRASS	SS 316	BRASS & SS 316	BRASS & SS 316
GUIDE ASSEMBLY	SS 316			
SHADOW-RING	COPPER / SILVER / NONE			
PLUNGER, INSERT	SS 430			
SPRING / CIRCLIP	SS 302 / STEEL			
FASTENERS	SS 304			
SEAT, SEALS	NBR, VITON, F. SILICON			
AMBIENT & FLUID TEMPERATURE	-30°C TO 75°C			

COIL POWER SUPPLY	AC	DC
	220 V	12 V
	110 V	24 V
	24 V	48 V

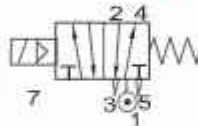
FEATURES

- SPECIAL STATE OF THE ART MACHINERY FOR SOLENOID VALVE MANUFACTURING.
- SUPERIOR LIFE CYCLE IN COMPARE TO OTHER BRANDS (10 LAKHS +)
- FAST OPENING VALVE WITH SUITABLE ORIFICE DESIGN CALCULATION.
- ALSO AVAILABLE : FLAME PROOF LIMIT SWITCH & FLAME PROOF POSITIONER, IP
- ALL S.S. SOLUTION UNDER ONE ROOF S.S. ACTUATOR, S.S. LIMIT SWITCH, S.S. NAMUR FLP SOLENOID VALVE.

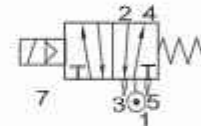
NAMUR MOUNTING HOLES DIMENSIONS IN MM :



TYPE	PRESSURE
OTX (5/2)	0-10 BAR



TYPE	PRESSURE
MPT - 3/2	0-10 BAR



TYPE	PRESSURE
OTXU-5/2-3/2 (UNIVERSAL)	0-10 BAR

Manufacturing Unit : Ahmedabad, Gujarat, India.



APPROVED



APPROVED



APPROVED

CCOE
PESO

APPROVED

3 LAKH +
INSTALLATIONS



AVAILABLE AT :

Manufactured By :

4Matic

Industrial Valves and Valve Automation

www.4maticvalves.com

